

NSM-108/NS-208

Unmanaged 8-Port Industrial 10/100 Mbps Ethernet Switch



Introduction

The NSM-108/NS-208 has 8 Ethernet Switching ports that support 10/100 Base-T(X) with a 10/100M auto-negotiation feature and auto MDI/MDIX function. It can connect 8 workstations and automatically switches the transmission speed (10/100 Mbps) for corresponding connections. The flow control mechanism is also negotiated.

LEDs embedded in RJ-45 jacks make for easy monitoring. Port connectors are shielded RJ-45. A power source for +12~+48 VDC is required.

Features

- Automatic MDI / MDI-X crossover for plug-and-play
- Each port supports both 10/100 Mbps speed auto negotiation
- Store-and-forward architecture
- Full duplex IEEE 802.3x and half duplex backpressure flow control
- Supports +12 ~ +48V DC voltage
- Supports operating temperatures from -40 ~ +75 °C
- Support DIN-Rail and Wall Mounting(NSM-108 only)

Specifications

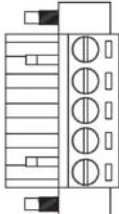
Models	NS-208	NSM-108
Technology		
Standards	IEEE 802.3, 802.3u, 802.3x	
Processing Type	Store & forward; wire speed switching	
MAC Addresses	2048	
Frame Buffer Memory	768 Kbit	
Flow Control	IEEE 802.3x flow control, back pressure flow control	
Interface		
RJ-45 Ports	10/100 Base-T(X) auto negotiation speed, F/H duplex mode, and auto MDI/MDI-X connection	
LED Indicators	Power, Link/Act, 10/100M	
Ethernet Isolation	1500 Vrms 1 minute	
EMS Protection	Yes	
Power Input		
Input Voltage Range	+12 ~ +48 VDC (Non-isolated)	
Power Consumption	0.15 A @ 24 VDC	
Protection	Power reverse polarity protection	
EMS Protection	Yes	
Connector	5-Pin Removable Terminal Block	
Mechanical		
Casing	Plastic	Metal
Dimensions (W x L x H)	64 mm x 98 mm x 118 mm	73 mm x 102 mm x 132 mm
Installation	DIN-Rail Mounting	DIN-Rail Mounting or Wall Mounting
Environment		
Operating Temperature	-40 °C ~ +75 °C	
Storage Temperature	-40 °C ~ +85 °C	
Ambient Relative Humidity	10% ~ 90% RH, non-condensing	

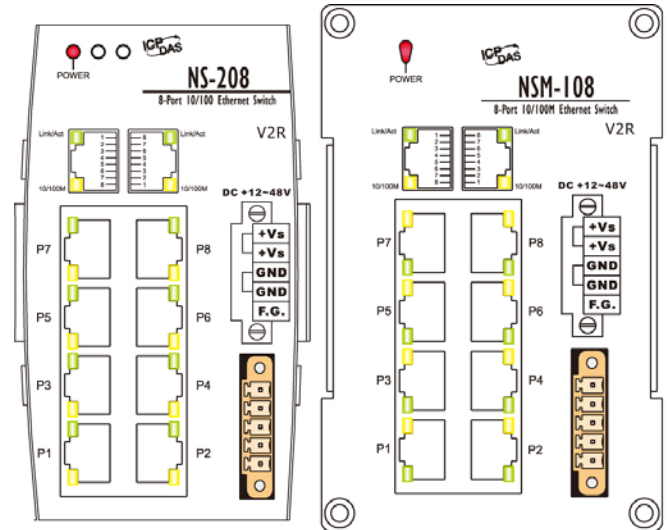
Note : This table only use for “V2R” version , version information please reference product front

LED Indicator Functions

LED	Color	Description
Power	Red On	Power is On
	Red Off	Power is Off
Ethernet Port	Green On	Link/Act
	Green Off	Not Networking
	Yellow On	Link to 100 Mbps
	Yellow Off	Link to 10 Mbps

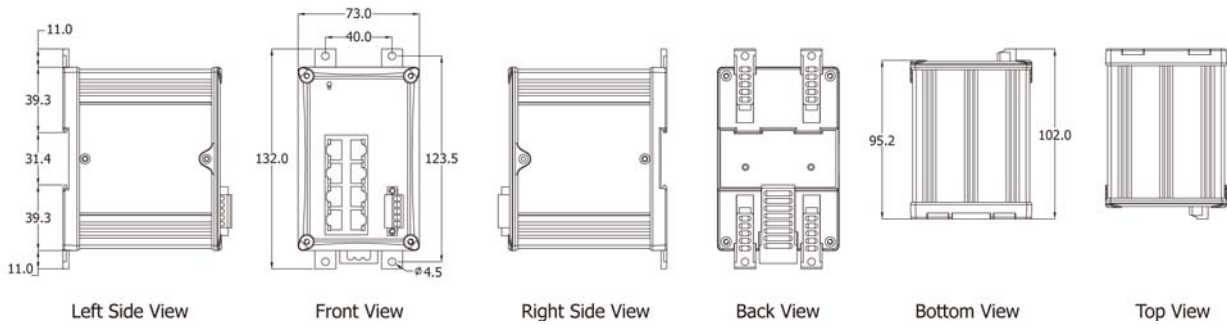
Pin assignment

Pin	Terminal No.	Function
+VS		+12 ~ +48 VDC
+VS		
GND		Power Ground.
GND		
F.G.		

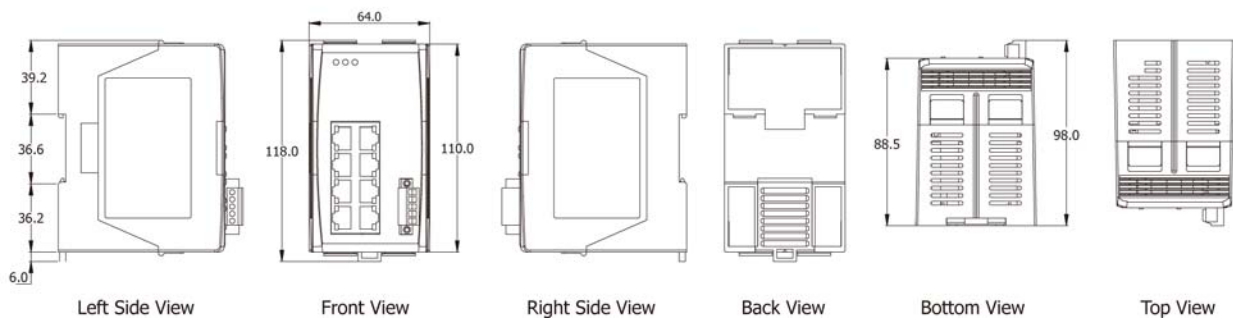


Dimensions

NSM-108



NS-208



Accessories

MDR-60-24 CR	24V/2.5A, 60 W Power Supply with DIN-Rail Mounting (RoHS)
MDR-20-24 CR	24V/1.0A, 24 W Power Supply with DIN-Rail Mounting (RoHS)
DIN-KA52F CR	24V/1.04A, 25 W Power Supply with DIN-Rail Mounting (RoHS)