



Features

- Support Digital Outputs (Form A Power Relay)
- 4 kV ESD Protection
- RoHS Compliant
- Wide Operating Temperature Range: -25 ~ +75°C



Introduction

I-87064W features 8-channel Form A power relay outputs. I-87064W has 8 LED indicators for relay output status. All DO channels have 4 kV ESD protection.

Applications

Building Automation, Factory Automation, Machine Automation, Remote Maintenance, Remote Diagnosis, Testing Equipment.

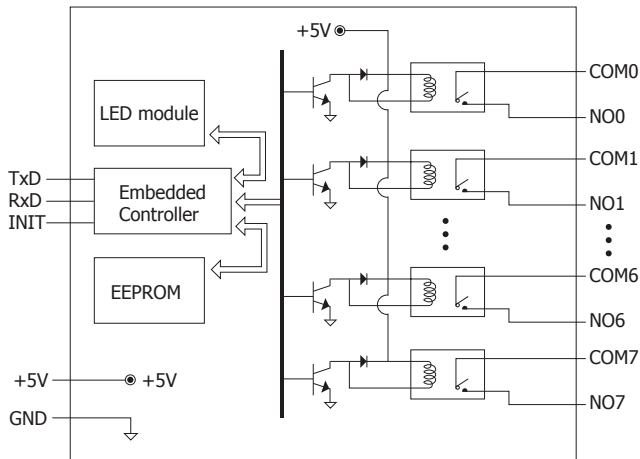
System Specifications

Communication	
Interface	RS-485
Format	N, 8, 1
Baud Rate	1200 ~ 115200 bps
Protocol	DCON
Dual Watchdog	Yes, Module (1.6 Seconds), Communication (Programmable)
Safe Value (When Host Fail or Communication Fail)	Yes
Power-on Preset Value	Yes
LED Indicator/Display	
System LED Indicator	1 LED as Power/Communication Indicator
I/O LED Indicator	8 LEDs as Power Relay Indicators
Isolation	
Intra-Module Isolation, Field-to-Logic	3000 Vdc
EMS Protection	
ESD (IEC 61000-4-2)	4 kV Contact for Each Terminal
	8 kV Air for Random Point
Power	
Power Consumption	1.5 W Max.
Mechanical	
Dimensions (W x L x H)	30 mm x 102 mm x 115 mm
Environment	
Operating Temperature	-25 ~ +75°C
Storage Temperature	-40 ~ +85°C
Humidity	10 ~ 95% RH, Non-condensing

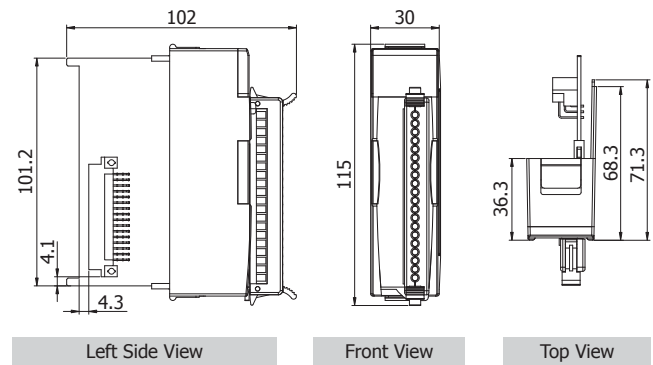
I/O Specifications

Digital Output		
Channels	8	
Output Type	Power Relay, Form A (Normal Open)	
Max. Load Voltage	250 V _{AC} /30 V _{DC}	
Max. Load Current	5.0 A _{rms}	
Max. Operate Time	6 ms Max.	
Max. Release Time	3 ms Max.	
Insulation Resistance	Min. 1000 MΩ, at 500 Vdc	
Dielectric Strength	Between Open Contacts	750 V _{rms} (at 1 Minute)
	Between Coil and Contacts	2000 V _{rms} (at 1 Minute)
Surge Strength	4000 V (at 1.2*50us)	
Relay Life	Mechanical	2*10,000,000 Min.
	Electrical	100,000 min. , Resistive
Short Circuit Protection	-	
Power-on Value	Yes	
Safe Value	Yes	

Internal I/O Structure



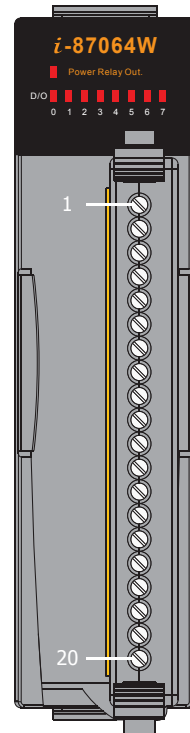
Dimensions (Units: mm)



Wire Connections

Output Type	ON State Readback as 1	OFF State Readback as 0
Relay Output		

Pin Assignments



Terminal No.	Pin Assignment
01	NO0
02	COM0
03	NO1
04	COM1
05	-
06	NO2
07	COM2
08	NO3
09	COM3
10	-
11	NO4
12	COM4
13	NO5
14	COM5
15	-
16	NO6
17	COM6
18	NO7
19	COM7
20	-

Ordering Information

I-87064W-G CR 8-channel Relay Output Module (Gray Cover) (RoHS) 5ft Bc % +\$%

Accessories

	SG-770 CR	7 channel differential or 14 channel single-ended surge protector (RoHS)
--	-----------	--