



Introduction

The I-87066W module provides 8 DC Solid State Relay (SSR) Output channels. In comparison to electromechanical relays, SSR technology provides a faster response time and greater electrical endurance. The integration of DC SSR technology also eliminates the potential for arcing, bouncing, and switching noise. The I-87066W includes 8 LED indicators that can be used to monitor the status of the SSR output, and options are available for configuring power-on and safe values. 4 kV ESD protection and 3000 Vdc intra-module isolation are also provided to enhance noise protection capabilities of the module in harsh industrial environments.

System Specifications

| Communication | |
|--|---|
| Interface | RS-485 |
| Format | N, 8, 1 |
| Baud Rate | 1200 to 115200 bps |
| Protocol | DCON |
| Dual Watchdog | Yes, Module (1.6 Seconds), Communication (Programmable) |
| LED Indicators/Display | |
| System LED Indicators | Yes, 1 as Power/Communication Indicator |
| I/O LED Indicators | 8 as DC-SSR Output Indicators |
| Isolation | |
| Intra-module Isolation, Field-to-Logic | 3000 Vdc |
| EMS Protection | |
| ESD (IEC 61000-4-2) | ±4 kV Contact for each Terminal |
| | ±8 kV Air for Random Point |
| Power | |
| Power Consumption | 0.6 W Max. |
| Mechanical | |
| Dimensions (L x W x H) | 115 mm x 30 mm x 102 mm |
| Environment | |
| Operating Temperature | -25 to +75°C |
| Storage Temperature | -40 to +85°C |
| Humidity | 10 to 95% RH, Non-condensing |

Features

- 8-channel DC SSR Output
- Form A DC Solid State Relay Output
- Fast Operating/Release Time
- No Arcing, Bouncing, or Switching Noise
- 3000 Vdc Intra-module Isolation
- Configurable Power-on Value
- Configurable Safe Value
- Unlimited Relay Lifetime
- 4 kV ESD Protection
- RoHS Compliant
- Wide Operating Temperature Range: -25 to +75°C



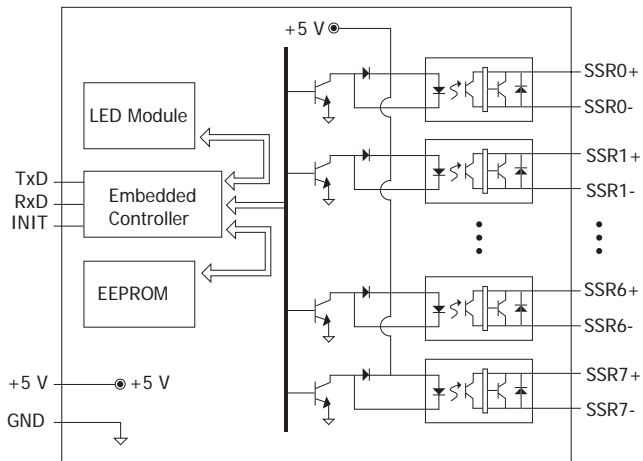
Applications

- Building Automation
- Factory Automation
- Machine Automation
- Remote Maintenance
- Remote Diagnosis
- Testing Equipment

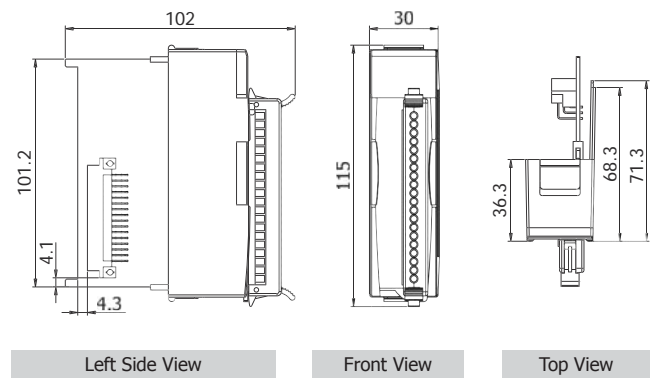
I/O Specifications

| DC Solid State Relay Output | | |
|-----------------------------|---|--------------|
| Channels | 8 | |
| Type | DC SSR (Form A) | |
| Form A | Operating Voltage Range | +3 ~ +30 Vdc |
| | Max. Load Current | 1 A |
| | Leakage Current | 0.1 mA |
| | Min. Operate Time | 1 ms |
| | Min. Release Time | 1 ms |
| | Dielectric Strength | 3500 Vdc |
| Electrical Endurance | Long Life, No Arcing, No Bounce, No Switching Noise | |
| Power-on Value | Yes | |
| Safe Value | Yes | |

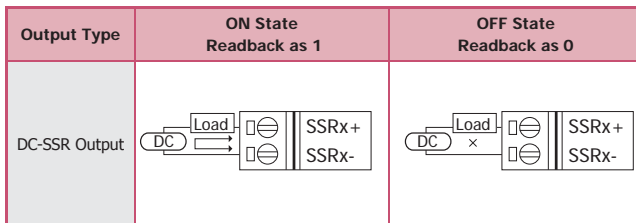
Internal I/O Structure



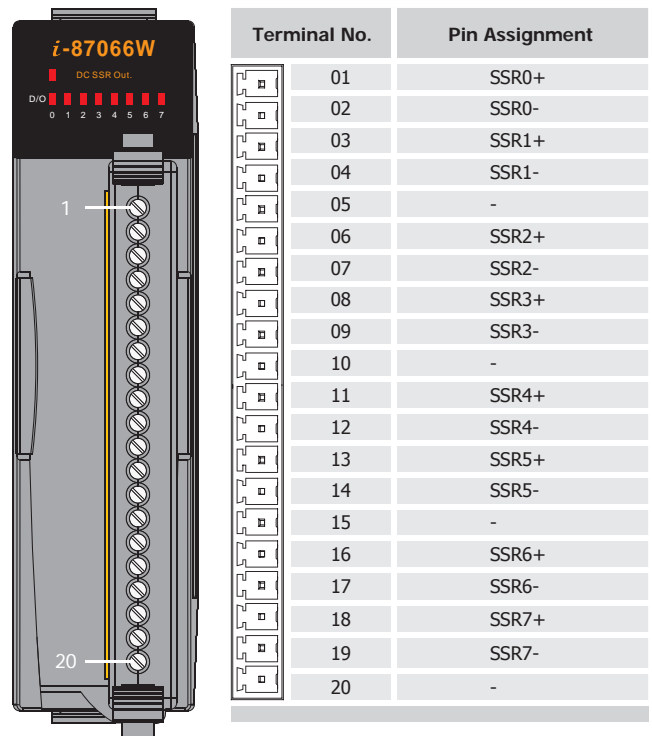
Dimensions (Units: mm)



Wire Connections



Pin Assignments



Ordering Information

| | |
|---------------|---|
| I-87066W-G CR | 8-channel DC SSR Output Module using the DCON Protocol (Gray Cover) (RoHS) '5ft' Bc''%%' +\$+ |
|---------------|---|

Accessories

| | |
|-----------|--|
| SG-770 CR | 7-channel Differential or 14-channel Single-ended Surge Protector (RoHS) |
|-----------|--|