

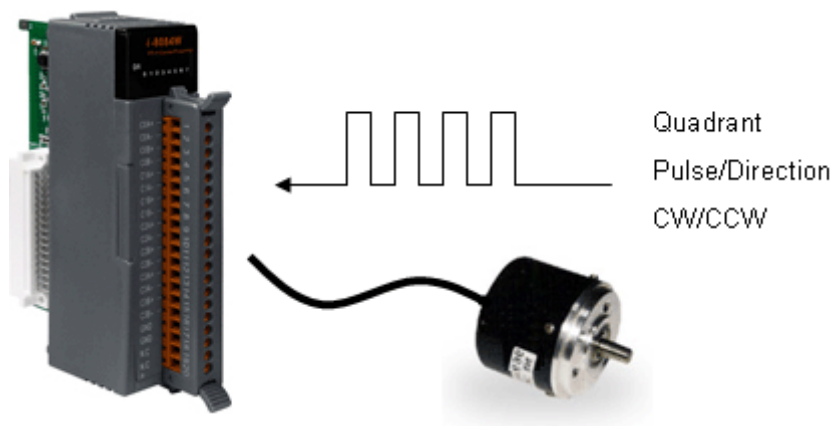
I-8093W

API Reference Manual

Version 1.0.2, March 2010

Service and usage information for

iPAC 8000, WinPAC 8000 and LinPAC



Written by Martin Hsu

Edited by Anna Huang

Warranty

All products manufactured by ICP DAS are under warranty regarding defective materials for a period of one year, beginning from the date of delivery to the original purchaser.

Warning

ICP DAS assumes no liability for any damage resulting from the use of this product. ICP DAS reserves the right to change this manual at any time without notice. The information furnished by ICP DAS is believed to be accurate and reliable. However, no responsibility is assumed by ICP DAS for its use, not for any infringements of patents or other rights of third parties resulting from its use.

Copyright

Copyright © 2009 by ICP DAS Co., Ltd. All rights are reserved.

Trademark

The names used for identification only may be registered trademarks of their respective companies.

TABLE OF CONTENTS

1. Introduction	5
1.1. Specification	6
1.2. Pin Assignment.....	7
1.3. Block Diagram	8
1.4. Wiring Connection	9
2. Hardware Operation Principle	12
2.1. Counting Mode	13
2.2. Input Level.....	15
3. API for iPAC-8000	18
3.1. i8093W_Init.....	19
3.2. i8093W_GetFirmwareVersion	21
3.3. i8093W_GetLibVersion	22
3.4. i8093W_GetLibDate.....	23
3.5. i8093W_SetMode	24
3.6. i8093W_GetMode.....	26
3.7. i8093W_SetXOR	28
3.8. i8093W_GetXOR	29
3.9. i8093W_GetLineStatus	31
3.10. i8093W_GetIndex	33
3.11. i8093W_Read32BitEncoder	34
3.12. i8093W_ResetEncoder.....	35
4. API for WinPAC-8000	36
4.1. pac_i8093_Init.....	37
4.2. pac_i8093_GetFirmwareVersion	39

4.3. pac_i8093_GetLibVersion	40
4.4. pac_i8093_GetLibDate.....	41
4.5. pac_i8093_SetMode	42
4.6. pac_i8093_GetMode	44
4.7. pac_i8093_SetXOR.....	46
4.8. pac_i8093_GetXOR	48
4.9. pac_i8093_GetLineStatus	50
4.10. pac_i8093_GetIndex	52
4.11. pac_i8093_Read32BitEncoder.....	54
4.12. pac_i8093_ResetEncoder.....	56
5. API for LinPAC-8000	58
5.1. i8093W_Init.....	59
5.2. i8093W_GetFirmwareVersion	60
5.3. i8093W_GetLibVersion	61
5.4. i8093W_GetLibDate.....	62
5.5. i8093W_SetMode	63
5.6. i8093W_GetMode.....	64
5.7. i8093W_SetXOR	65
5.8. i8093W_GetXOR	66
5.9. i8093W_GetLineStatus	67
5.10. i8093W_GetIndex	68
5.11. i8093W_Read32BitEncoder	69
5.12. i8093W_ResetEncoder.....	70
Appendix A. Error Code.....	71

1. INTRODUCTION

I-8093W is a 3-axis encoder counter board on I-8000 platform. I-8093W encoder card has 32 bits counter and high counting rate 10Mpps. The application of I-8093W board is position/distance measurement, velocity measurement, feedback for motor control, hard wheel input and so on.

Features:

- ✓ 3-axis, 32-bit encoder counter
- ✓ Encoder counting mode: CW/CCW , Pulse/Direction, A/B Phase
- ✓ Maximum counting rate: 4 MHz
- ✓ Encoder Input: A, B, Z differential
- ✓ Input Level: 5V, 12V/24V with external resistor
- ✓ A/B/Z signal isolation voltage: 2500V optical isolation
- ✓ Built-in XOR logic for active high or active low encoder input

1.1. Specification

Parallel I/O Module

3-axis, 32 bits encoder counter.

Encoder Mode

1. CW/CCW mode
2. Pulse/Dir mode
3. Quadrant mode

Maximum Counting Rate

1. CW/CCW mode 4M pulse/sec
2. Pulse/Dir mode 4M pulse/sec
3. Quadrant mode 1M pulse/sec

Input Level

1. Input level 5 V
Logic High: 4 V ~ 5 V
Logic Low: 0 V ~ 2 V
2. Input 12 V with external resistor 1 K ohm
Logic High: 5 V ~ 12 V
Logic Low: 0 V ~ 2 V
3. Input 24V with external resistor 2K ohm
Logic High: 7 V ~ 24 V
Logic Low: 0 V ~ 2 V

Isolated voltage output

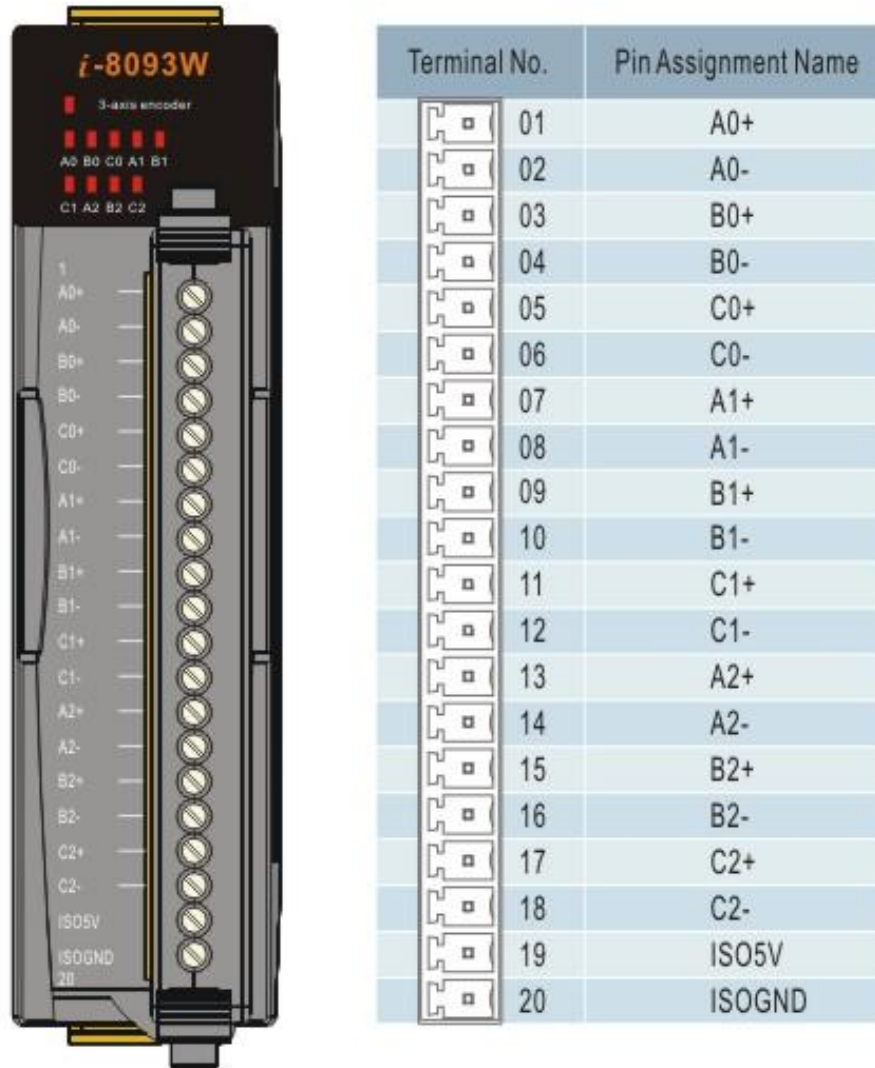
+5 V, 200 mA (max)

Power consumption

1.0 W

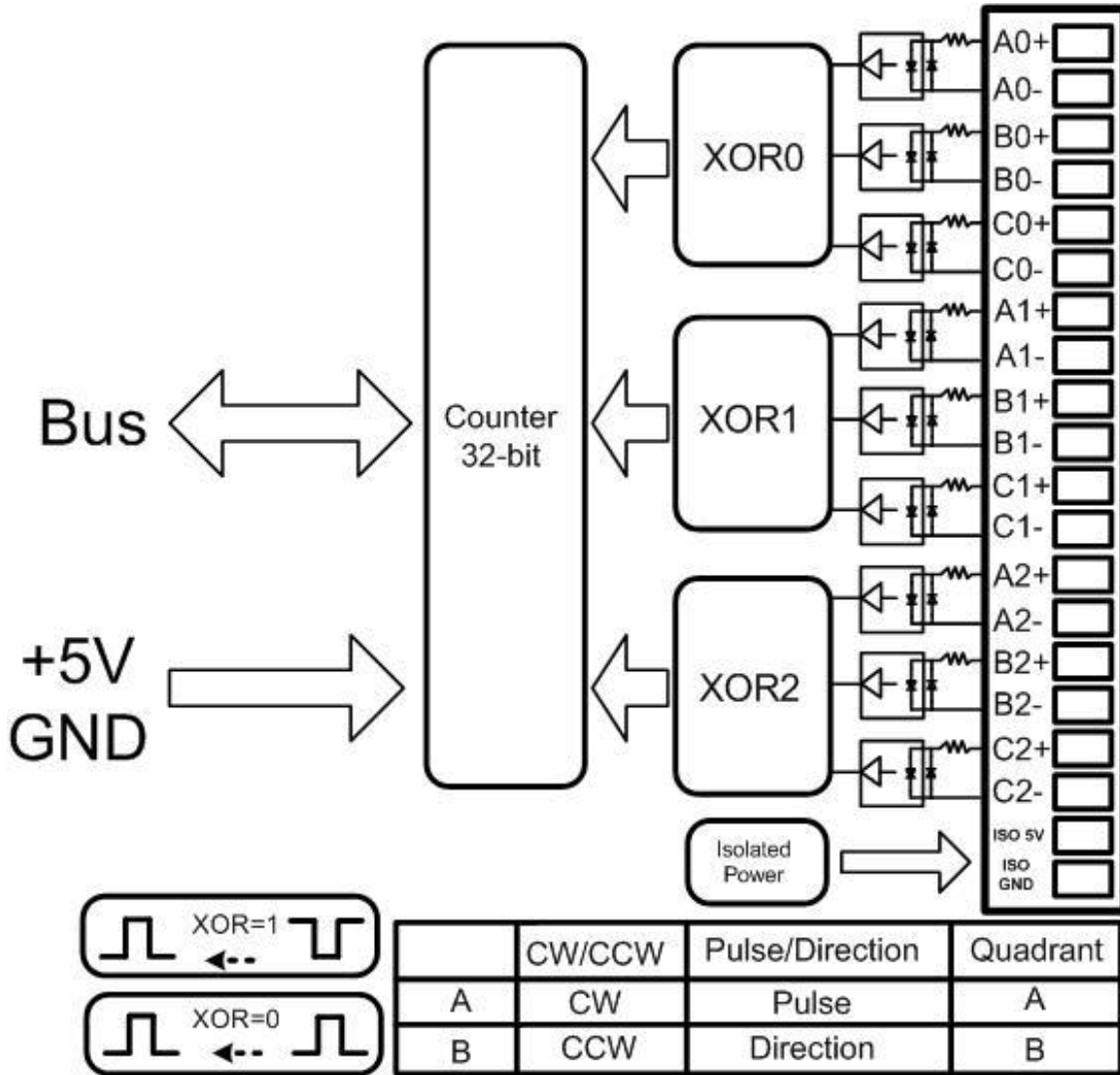
Built-in XOR logic for active high or low

1.2. Pin Assignment



- ✓ Pin 1 ~ 6: A0+/A0-/B0+/B0-/Z0+/Z0-, are designed for encoder0
- ✓ Pin 7 ~ 12: A1+/A1-/B1+/B1-/Z1+/Z1-, are designed for encoder1
- ✓ Pin 13~ 18: A2+/A2-/B2+/B2-/Z2+/Z2-, are designed for encoder2
- ✓ Pin 19 is isolated 5Vsupply, max: 50mA.
- ✓ Pin 20 is isolated ground.

1.3. Block Diagram



The input signal maybe active low or active high. The XOR0/XOR1/XOR2 are designed to invert the active low signal for internal logic requirement. If the value of XOR0/1/2 is the encoder value will have different errors. Refer to chapter 2 for more information.

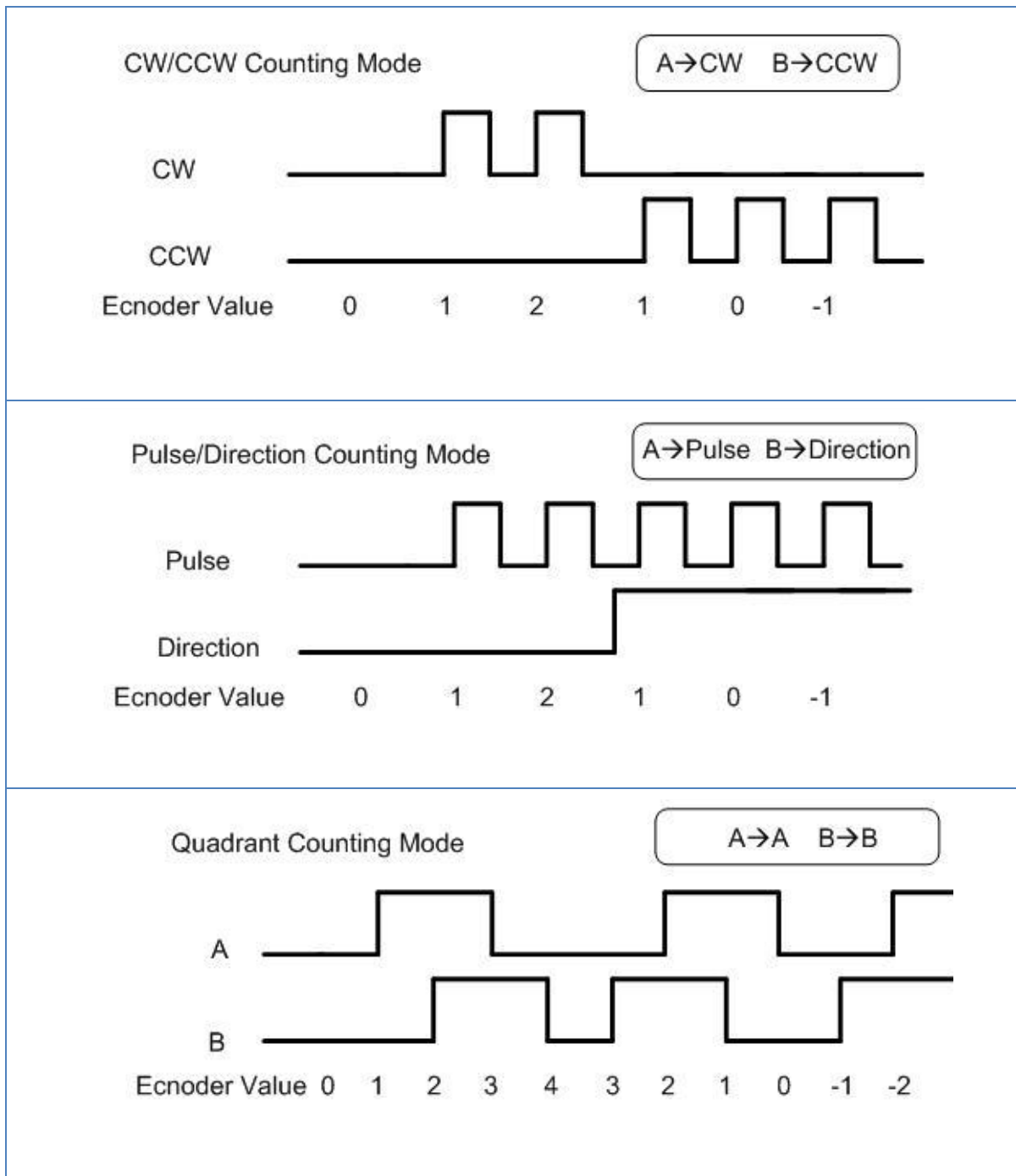
1.4. Wiring Connection

Input Type	ON State LED ON Readback as 0	OFF State LED OFF Readback as 1
Relay Contact	Relay ON	Relay Off
TTL/CMOS Logic	Voltage > 4V	Voltage < 0.8V
NPN Output	Open Collector On	Open Collector Off
PNP Output	Open Collector On	Open Collector Off

2. HARDWARE OPERATION PRINCIPLE

2.1. Counting Mode

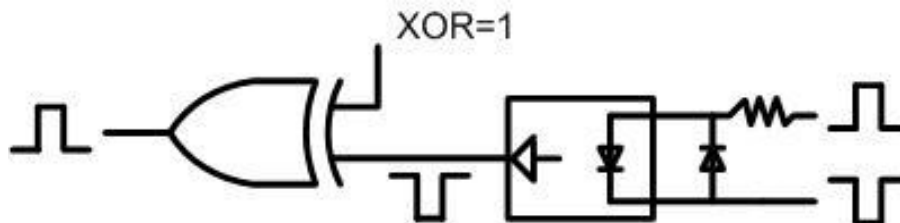
There are 3 counting modes, CC/PD/AB, given as follows:



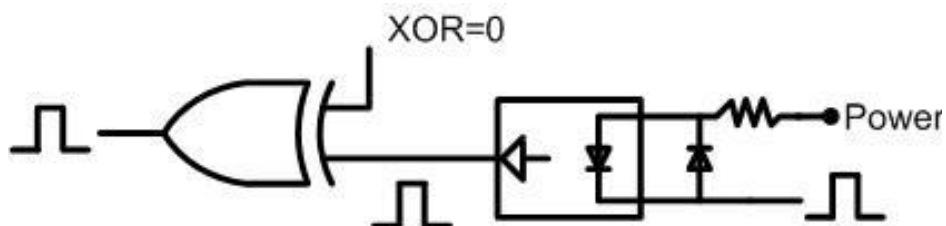
Note: -1=0xffffffff, -2=0xffffffe

The internal counting logic is expected as active high. User can use XOR control bit to select the proper waveform as follows:

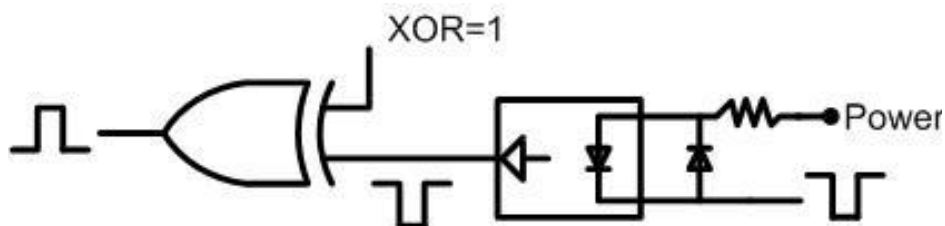
Case 1: differential input, set XOR=1



Case 2: active high single-ended input, set XOR=0



Case 3: active low single-ended input, set XOR=1

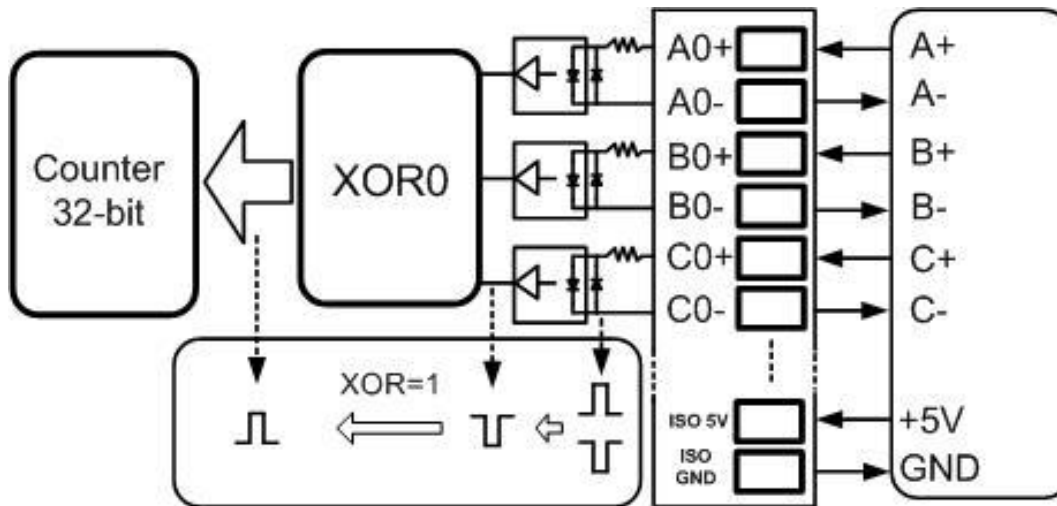


If the value of XOR control bit is error, the encoder value will have different errors given as follows:

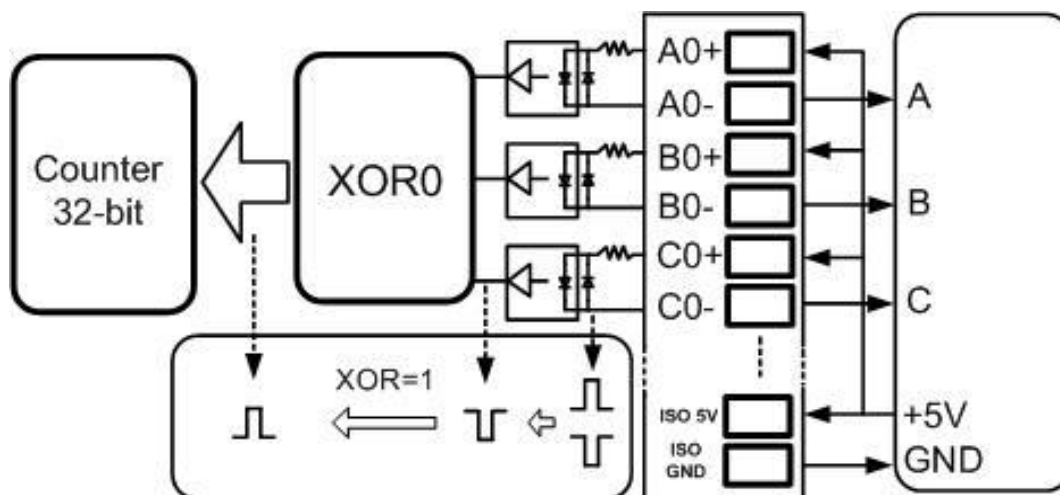
- ✓ The counting direction will be inverted
- ✓ The Z is inverted

2.2. Input Level

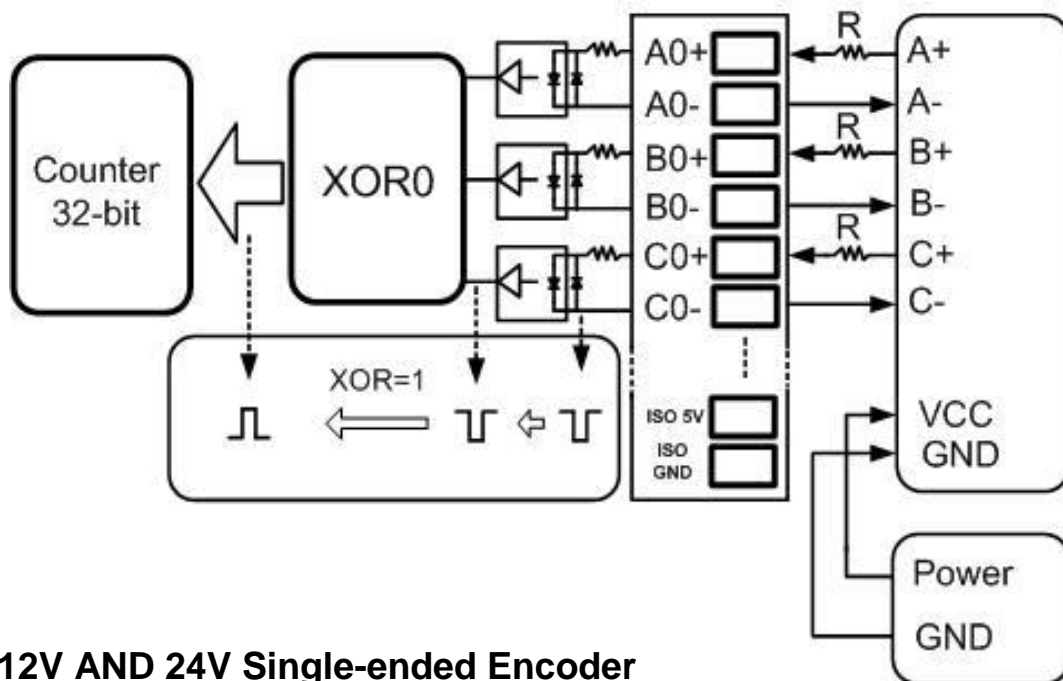
5V Differential Encoder



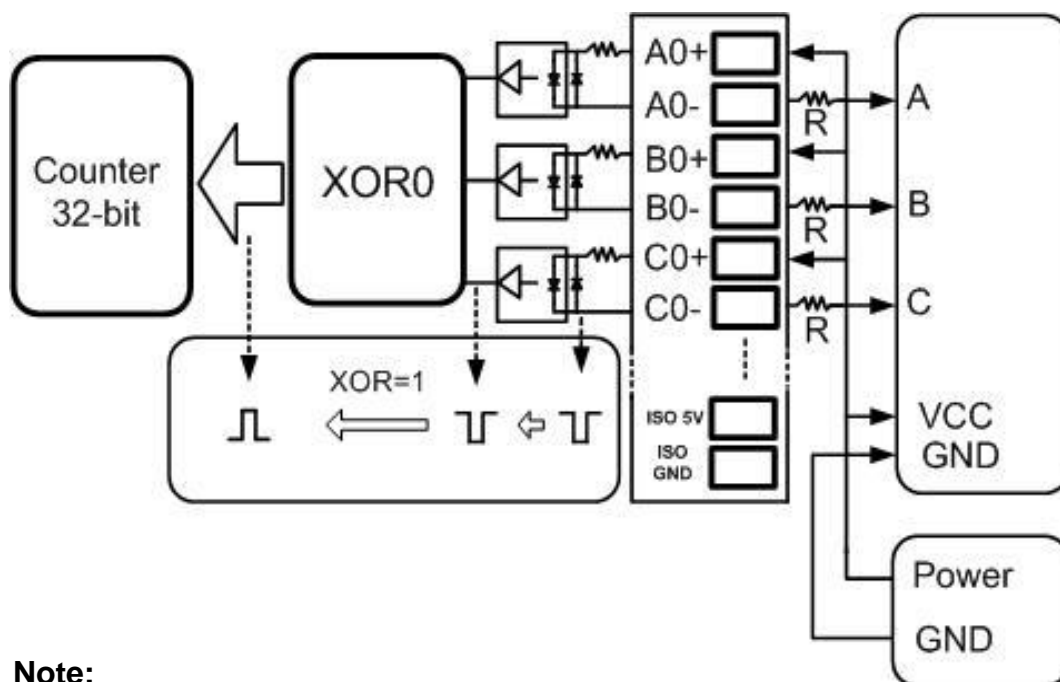
5V Single-ended Encoder



12V AND 24 V Differential Encoder



12V AND 24V Single-ended Encoder



Note:

1. Input 12V with external resistor(R) 1K ohm
2. Input 24V with external resistor(R) 2K ohm

3. API FOR IPAC-8000

3.1. i8093W_Init

This function can initial the I-8093W and can check the hardware ID, if return 0 for input slot index, it means the ID of this slot index is I-8093W,if return -1, it means there is no I-8093W for this slot index.

Syntax

```
int i8093W_Init(int slot);
```

Parameter

slot: 0 ~ 7

Return Values

Please refer to Error Code Table.

Examples

[C]

```
int slotIndex,err;
err=i8093W_Init(slotIndex);
if(err==0)
{
printf("There is an I-8093W at slot %d\n",slotIndex);
}
else
{
printf("There is no I-8093W at slot %d\n",slotIndex);
}
```

3.2. i8093W_GetFirmwareVersion

This function gets the firmware version of I-8093W hardware.

Syntax

```
short i8093W_GetFirmwareVersion(int slot);
```

Parameter

slot: 0 ~ 7

Return Values

The firmware version of I-8093W hardware

Examples

[C]

```
short firmware_version;  
firmware_version = i8093W_GetFirmwareVersion (slot);
```

3.3. i8093W_GetLibVersion

This function gets the library version of i8093W.dll.

Syntax

```
short i8093W_GetLibVersion ();
```

Parameter

none

Return Values

The library version of i8093W.dll

Examples

[C]

```
short version;  
version = i8093W_GetLibVersion ();
```

3.4. i8093W_GetLibDate

This function gets the library built date of i8093W.dll.

Syntax

```
void i8093W_GetLibDate(char *LibDate);
```

Parameter

LibDate the string buffer of library built date

Return Values

The library built date of i8093W.dll

Examples

[C]

```
char lib_date[32];  
i8093W_GetLibDate(lib_date);
```

3.5. i8093W_SetMode

This function to set the operation mode of I-8093W.

Syntax

```
int i8093W_SetMode(int slot, int ch, int mode);
```

Parameter

slot: 0 ~ 7

ch: 0 ~ 2

mode:

- 1: CW/CCW counting mode
- 2: Pulse/Direction counting mode
- 3: AB Phase (Quadrant counting) mode

Return Values

Please refer to Error Code Table.

Examples

[C]

```
int slot,ch;
slot = 0;
for(ch=0;ch<3;ch++)
{
    i8093W_SetMode(slot,ch,3); // AB Phase
}
```

3.6. i8093W_GetMode

This function to get the operation mode of I-8093W.

Syntax

```
int i8093W_GetMode(int slot, int ch, int* mode);
```

Parameter

slot: 0 ~ 7

ch: 0 ~ 2

mode:

- 1: CW/CCW counting mode
- 2: Pulse/Direction counting mode
- 3: AB Phase (Quadrant counting) mode

Return Values

Please refer to Error Code Table.

Examples

[C]

```
int slot,ch,mode;
slot = 0;
for(ch=0;ch<3;ch++)
{
    i8093W_SetMode(slot,ch,&mode);
}
```

3.7. i8093W_SetXOR

This function to set the xor of I-8093W for each channel.

Syntax

```
int i8093W_SetXOR (int slot, int ch, int xor);
```

Parameter

slot: 0 ~ 7

ch: 0 ~ 2

xor: 0/1

Return Values

Please refer to Error Code Table.

Examples

[C++]

```
int slot,ch;  
slot = 0;  
for(ch=0;ch<3;ch++)  
{  
    i8093W_SetXOR (slot,ch,0);  
}
```

3.8. i8093W_GetXOR

This function to get the xor of I-8093W for each channel.

Syntax

```
int i8093W_GetXOR (int slot, int ch, int* mode);
```

Parameter

slot: 0 ~ 7

ch: 0 ~ 2

mode:

- 1: CW/CCW counting mode
- 2: Pulse/Direction counting mode
- 3: AB Phase (Quadrant counting) mode

Return Values

Please refer to Error Code Table.

Examples

[C]

```
int slot,ch,mode;
slot = 0;
for(ch=0;ch<3;ch++)
{
    i8093W_SetMode(slot,ch,&mode);
}
```

3.9. i8093W_GetLineStatus

This function to get A,B and Z status of I-8093W.

Syntax

```
int i8093W_GetLineStatus (int slot, int ch, int* A,int*B,int*Z);
```

Parameter

slot: 0 ~ 7

ch: 0 ~ 2

A: 0/1

B: 0/1

Z: 0/1

Return Values

Please refer to Error Code Table.

Examples

[C]

```
int slot,ch,A,B,Z;
slot = 0;
for(ch=0;ch<3;ch++)
{
    i8093W_GetLineStatus (slot,ch,&A,&B,&Z);
}
```


3.10. i8093W_GetIndex

This function to get Z index status of I-8093W.

Syntax

```
int i8093W_GetIndex (int slot, int ch, int*Z);
```

Parameter

slot: 0 ~ 7

ch: 0 ~ 2

Z: 0/1

Return Values

Please refer to Error Code Table.

Examples

[C]

```
int slot,ch,Z;  
slot = 0;  
for(ch=0;ch<3;ch++)  
{  
    i8093W_GetIndex (slot,ch,&Z);  
}
```

3.11. i8093W_Read32BitEncoder

This function to get 32-Bit Encoder value of I-8093W.

Syntax

```
int i8093W_Read32BitEncoder(int slot, int ch, long*encVal);
```

Parameter

slot: 0 ~ 7

ch: 0 ~ 2

encVal: 32-Bit Encoder value of I-8093W (0 ~ 0xffffffff)

Return Values

Please refer to Error Code Table.

Examples

[C]

```
int slot,ch;
long encoder=0;
slot = 0;
for(ch=0;ch<3;ch++)
{
    i8093W_Read32BitEncoder(slot,ch,&encoder);
}
```

3.12. i8093W_ResetEncoder

This function to reset 32-Bit Encoder value to zero.

Syntax

```
int i8093W_ResetEncoder (int slot, int ch);
```

Parameter

slot: 0 ~ 7

ch: 0 ~ 2

Return Values

Please refer to Error Code Table.

Examples

[C]

```
int slot,ch;  
slot = 0;  
for(ch=0;ch<3;ch++)  
{  
    i8093W_ResetEncoder (slot,ch);  
}
```

4. API FOR WINPAC-8000

4.1. pac_i8093_Init

This function can initial the I-8093W and can check the hardware ID, if return 0 for input slot index, it means the ID of this slot index is I-8093W,if return -1, it means there is no I-8093W for this slot index.

Syntax

```
int pac_i8093_Init(int slot);
```

Parameter

Slot: 0 ~ 7

Return Values

Please refer to Error Code Table.

Examples

[C++]

```
int slotIndex,err;
err=pac_i8093_Init(slotIndex);
if(err==0)
{
printf("There is an I-8093W at slot %d\n",slotIndex);
}
Else
{
printf("There is no I-8093W at slot %d\n",slotIndex);
}
```

[C#]

```
using pac8093WNet;
int slotIndex,err;
err= pac8093W.Init(slotIndex);
if(err==0)
{
printf("There is an I-8093W at slot %d\n",slotIndex);
}
else
{
printf("There is no I-8093W at slot %d\n",slotIndex);
}
```

4.2. pac_i8093_GetFirmwareVersion

This function gets the firmware version of I-8093W hardware.

Syntax

```
short pac_i8093_GetFirmwareVersion(int slot);
```

Parameter

slot

Return Values

The firmware version of I-8093W hardware

Examples

[C++]

```
short firmware_version;  
firmware_version = pac_i8093_GetFirmwareVersion (slot);
```

[C#]

```
using pac8093WNet;  
short version;  
firmware_version = pac8093W.GetFirmwareVersion (slot);
```

4.3. pac_i8093_GetLibVersion

This function gets the library version of pac_i8093.dll.

Syntax

```
short pac_i8093_GetLibVersion ();
```

Parameter

none

Return Values

The library version of pac_i8093.dll

Examples

[C++]

```
short version;  
version = pac_i8093_GetLibVersion ();
```

[C#]

```
using pac8093WNet;  
short version;  
version = pac8093W.GetLibVersion ( );
```


4.4. pac_i8093_GetLibDate

This function gets the library built date of pac_i8093.dll.

Syntax

```
void pac_i8093_GetLibDate(char *LibDate);
```

Parameter

LibDate the string buffer of library built date

Return Values

The library built date of pac_i8093.dll

Examples

[C++]

```
char lib_date[32];  
pac_i8093_GetLibDate(lib_date);
```

[C#]

```
using pac8093WNet;  
string lib_date;  
lib_date = pac8093W. GetLibDate ( );
```

4.5. pac_i8093_SetMode

This function to set the operation mode of I-8093W.

Syntax

```
int pac_i8093_SetMode(int slot, int ch, int mode);
```

Parameter

slot: 0 ~ 7

ch: 0 ~ 2

mode:

- 1: CW/CCW counting mode
- 2: Pulse/Direction counting mode
- 3: AB Phase (Quadrant counting) mode

Return Values

Please refer to Error Code Table.

Examples

[C++]

```
int slot,ch;
slot = 0;
for(ch=0;ch<3;ch++)
{
    pac_i8093_SetMode(slot,ch,3); // AB Phase
}
```

[C#]

```
using pac8093WNet;
int slot,ch;
slot = 0;
for(ch=0;ch<3;ch++)
{
    pac8093W.SetMode(slot,ch,3); // AB Phase
}
```

4.6. pac_i8093_GetMode

This function to get the operation mode of I-8093W.

Syntax

```
int pac_i8093_GetMode(int slot, int ch, int* mode);
```

Parameter

slot: 0 ~ 7

ch: 0 ~ 2

mode:

- 1: CW/CCW counting mode
- 2: Pulse/Direction counting mode
- 3: AB Phase (Quadrant counting) mode

Return Values

Please refer to Error Code Table.

Examples

[C++]

```
int slot,ch,mode;
slot = 0;
for(ch=0;ch<3;ch++)
{
    pac_i8093_SetMode(slot,ch,&mode);
}
```

[C#]

```
using pac8093WNet;
int slot,ch,mode=0;
slot = 0;
for(ch=0;ch<3;ch++)
{
    pac8093W.GetMode(slot,ch,ref mode);
}
```

4.7. pac_i8093_SetXOR

This function to set the xor of I-8093W for each channel.

Syntax

```
int pac_i8093_SetXOR (int slot, int ch, int xor);
```

Parameter

slot: 0 ~ 7

ch: 0 ~ 2

xor: 0/1

Return Values

Please refer to Error Code Table.

Examples

[C++]

```
int slot,ch;
slot = 0;
for(ch=0;ch<3;ch++)
{
    pac_i8093_ SetXOR (slot,ch,0);
}
```

[C#]

```
using pac8093WNet;
int slot,ch;
slot = 0;
for(ch=0;ch<3;ch++)
{
    pac8093W. SetXOR (slot,ch,0);
}
```

4.8. pac_i8093_GetXOR

This function to get the xor of I-8093W for each channel.

Syntax

```
int pac_i8093_GetXOR (int slot, int ch, int* mode);
```

Parameter

slot: 0 ~ 7

ch: 0 ~ 2

mode:

- 1: CW/CCW counting mode
- 2: Pulse/Direction counting mode
- 3: AB Phase (Quadrant counting) mode

Return Values

Please refer to Error Code Table.

Examples

[C++]

```
int slot,ch,mode;
slot = 0;
for(ch=0;ch<3;ch++)
{
    pac_i8093_SetMode(slot,ch,&mode);
}
```

[C#]

```
using pac8093WNet;
int slot,ch,xor=0;
slot = 0;
for(ch=0;ch<3;ch++)
{
    pac8093W.GetXOR(slot,ch,ref xor);
}
```

4.9. pac_i8093_GetLineStatus

This function to get A,B and Z status of I-8093W.

Syntax

```
int pac_i8093_GetLineStatus (int slot, int ch, int* A,int*B,int*Z);
```

Parameter

slot: 0 ~ 7

ch: 0 ~ 2

A: 0/1

B: 0/1

Z: 0/1

Return Values

Please refer to Error Code Table.

Examples

[C++]

```
int slot,ch,A,B,Z;
slot = 0;
for(ch=0;ch<3;ch++)
{
    pac_i8093_GetLineStatus (slot,ch,&A,&B,&Z);
}
```

[C#]

```
using pac8093WNet;
int slot,ch,A=0,B=0,Z=0;
slot = 0;
for(ch=0;ch<3;ch++)
{
    pac8093W.GetLineStatus (slot,ch,ref A,ref B, ref Z);
}
```

4.10. pac_i8093_GetIndex

This function to get Z index status of I-8093W.

Syntax

```
int pac_i8093_GetIndex (int slot, int ch, int*Z);
```

Parameter

slot: 0 ~ 7

ch: 0 ~ 2

Z: 0/1

Return Values

Please refer to Error Code Table.

Examples

[C++]

```
int slot,ch,Z;
slot = 0;
for(ch=0;ch<3;ch++)
{
    pac_i8093_GetIndex (slot,ch,&Z);
}
```

[C#]

```
using pac8093WNet;
int slot,ch, Z=0;
slot = 0;
for(ch=0;ch<3;ch++)
{
    pac8093W.GetIndex(slot,ch, ref Z);
}
```

4.11. pac_i8093_Read32BitEncoder

This function to get 32-Bit Encoder value of I-8093W.

Syntax

```
int pac_i8093_Read32BitEncoder(int slot, int ch, long*encVal);
```

Parameter

slot: 0 ~ 7

ch: 0 ~ 2

encVal: 32-Bit Encoder value of I-8093W (0 ~ 0xffffffff)

Return Values

Please refer to Error Code Table.

Examples

[C++]

```
int slot,ch;
long encoder=0;
slot = 0;
for(ch=0;ch<3;ch++)
{
    pac_i8093_ Read32BitEncoder(slot,ch,&encoder);
}
```

[C#]

```
using pac8093WNet;
int slot,ch, Z=0;
long encoder=0
slot = 0;
for(ch=0;ch<3;ch++)
{
    pac8093W. ReadEncoder(slot,ch, ref encoder);
}
```

4.12. pac_i8093_ResetEncoder

This function to reset 32-Bit Encoder value to zero.

Syntax

```
int pac_i8093_ResetEncoder (int slot, int ch);
```

Parameter

slot: 0 ~ 7

ch: 0 ~ 2

Return Values

Please refer to Error Code Table.

Examples

[C++]

```
int slot,ch;
slot = 0;
for(ch=0;ch<3;ch++)
{
    pac_i8093_ResetEncoder (slot,ch);
}
```

[C#]

```
using pac8093WNet;
int slot,ch;
slot = 0;
for(ch=0;ch<3;ch++)
{
    pac8093W.ResetEncoder (slot,ch);
}
```

5. API FOR LINPAC-8000

LinPAC Website

http://www.icpdas.com/products/PAC/linpac-8000/introduction.htm#SlideFrame_1

Software Development

- “LinPAC-8000 SDK” consists of the following major items.
- LinPAC SDK library files
- LinPAC SDK include files
- Demo files
- GNU ToolChain
- LinPAC-8x4x:

<ftp://ftp.icpdas.com/pub/cd/linpac/napdos/lp-8x4x/sdk/>

- LinPAC-8x8x:

<ftp://ftp.icpdas.com/pub/cd/linpac/napdos/lp-8x8x/lp-8x8x-sdk/>

5.1. i8093W_Init

This function can initial the I-8093W and can check the hardware ID, if return 0 for input slot index, it means the ID of this slot index is I-8093W, if return -1, it means there is no I-8093W for this slot index.

Syntax

```
int i8093W_Init(int slot);
```

Parameter

slot: 1 ~ 8

Return Values

Please refer to Error Code Table.

Examples

[C]

```
int slotIndex, err;
err=i8093W_Init(slotIndex);
if(err==0)
    printf("There is an I-8093W at slot %d\n", slotIndex);
else
    printf("There is no I-8093W at slot %d\n", slotIndex);
```

5.2. i8093W_GetFirmwareVersion

This function gets the firmware version of I-8093W hardware.

Syntax

```
short i8093W_GetFirmwareVersion(int slot);
```

Parameter

slot: 1 ~ 8

Return Values

The firmware version of I-8093W hardware

Examples

[C]

```
short firmware_version;  
firmware_version = i8093W_GetFirmwareVersion (slot);
```

5.3. i8093W_GetLibVersion

This function gets the library version of i8093W.dll.

Syntax

```
short i8093W_GetLibVersion ();
```

Parameter

none

Return Values

The library version of i8093W.dll

Examples

[C]

```
short version;  
version = i8093W_GetLibVersion ();
```

5.4. i8093W_GetLibDate

This function gets the library built date of i8093W.dll.

Syntax

```
void i8093W_GetLibDate(char *LibDate);
```

Parameter

LibDate the string buffer of library built date

Return Values

The library built date of i8093W.dll

Examples

[C]

```
char lib_date[32];  
i8093W_GetLibDate(lib_date);
```

5.5. i8093W_SetMode

This function to set the operation mode of I-8093W.

Syntax

```
int i8093W_SetMode(int slot, int ch, int mode);
```

Parameter

slot: 1 ~ 8

ch: 0 ~ 2

mode:

- 1: CW/CCW counting mode
- 2: Pulse/Direction counting mode
- 3: AB Phase (Quadrant counting) mode

Return Values

Please refer to Error Code Table.

Examples

[C]

```
int slot, ch;  
for(ch=0;ch<3;ch++){  
    i8093W_SetMode(slot,ch,3); // AB Phase  
}
```

5.6. i8093W_GetMode

This function to get the operation mode of I-8093W.

Syntax

```
int i8093W_GetMode(int slot, int ch, int* mode);
```

Parameter

slot: 1 ~ 8

ch: 0 ~ 2

mode:

- 1: CW/CCW counting mode
- 2: Pulse/Direction counting mode
- 3: AB Phase (Quadrant counting) mode

Return Values

Please refer to Error Code Table.

Examples

[C]

```
int slot, ch, mode;  
for(ch=0;ch<3;ch++){  
    i8093W_SetMode(slot, ch, &mode);  
}
```


5.7. i8093W_SetXOR

This function to set the xor of I-8093W for each channel.

Syntax

```
int i8093W_SetXOR (int slot, int ch, int xor);
```

Parameter

slot: 1 ~ 8

ch: 0 ~ 2

xor: 0/1

Return Values

Please refer to Error Code Table.

Examples

[C++]

```
int slot, ch;  
for(ch=0;ch<3;ch++)  
{  
    i8093W_SetXOR (slot, ch, 0);  
}
```

5.8. i8093W_GetXOR

This function to get the xor of I-8093W for each channel.

Syntax

```
int i8093W_GetXOR (int slot, int ch, int* mode);
```

Parameter

slot: 1 ~ 8

ch: 0 ~ 2

mode:

- 1: CW/CCW counting mode
- 2: Pulse/Direction counting mode
- 3: AB Phase (Quadrant counting) mode

Return Values

Please refer to Error Code Table.

Examples

[C]

```
int slot, ch, mode;  
for(ch=0;ch<3;ch++){  
    i8093W_SetMode(slot, ch, &mode);  
}
```

5.9. i8093W_GetLineStatus

This function to get A, B and Z status of I-8093W.

Syntax

```
int i8093W_GetLineStatus (int slot, int ch, int* A, int*B, int*Z);
```

Parameter

slot: 1 ~ 8

ch: 0 ~ 2

A: 0/1

B: 0/1

Z: 0/1

Return Values

Please refer to Error Code Table.

Examples

[C]

```
int slot, ch, A, B, Z;  
for(ch=0;ch<3;ch++){  
    i8093W_GetLineStatus (slot, ch, &A, &B, &Z);  
}
```

5.10. i8093W_GetIndex

This function to get Z index status of I-8093W.

Syntax

```
int i8093W_GetIndex (int slot, int ch, int*Z);
```

Parameter

slot: 1 ~ 8

ch: 0 ~ 2

Z: 0/1

Return Values

Please refer to Error Code Table.

Examples

[C]

```
int slot, ch, Z;  
for(ch=0;ch<3;ch++)  
{  
    i8093W_GetIndex (slot, ch, &Z);  
}
```

5.11. i8093W_Read32BitEncoder

This function to get 32-Bit Encoder value of I-8093W.

Syntax

```
int i8093W_Read32BitEncoder(int slot, int ch, long*encVal);
```

Parameter

slot: 1 ~ 8

ch: 0 ~ 2

encVal: 32-Bit Encoder value of I-8093W (0 ~ 0xffffffff)

Return Values

Please refer to Error Code Table.

Examples

[C]

```
int slot, ch;  
long encoder=0;  
for(ch=0;ch<3;ch++)  
{  
    i8093W_Read32BitEncoder(slot, ch, &encoder);  
}
```

5.12. i8093W_ResetEncoder

This function to reset 32-Bit Encoder value to zero.

Syntax

```
int i8093W_ResetEncoder (int slot, int ch);
```

Parameter

slot: 1 ~ 8

ch: 0 ~ 2

Return Values

Please refer to Error Code Table.

Examples

[C]

```
int slot, ch;  
for(ch=0;ch<3;ch++)  
{  
    i8093W_ResetEncoder (slot, ch);  
}
```

APPENDIX A. ERROR CODE

0	OK
-1	ID_ERROR
-2	SLOT_OUT_RANGE
-3	CHANNEL_OUT_RANGE
-4	MODE_ERROR