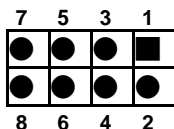


# SPE-9S-R11

## 9-Slot PICMG 1.3 PCIe Backplane User Manual Ver. 1.1

### 1. USB1, USB2: External 4 Port USB Connectors From the Mainboard



USB1、USB2			
PIN	DESCRIPTION	PIN	DESCRIPTION
1	USBVCC	2	GND
3	DATA-	4	DATA+
5	DATA+	6	DATA-
7	GND	8	USBVCC

### 2. FAN1, FAN2, FAN3, FAN4: Fan Connector



PIN	DESCRIPTION
1	GND
2	+12V
3	NC

### 3. ATXCTL1: Backplane to Mainboard ATX Power Control Connector



PIN	DESCRIPTION
1	GND
2	PSON#
3	5VSB

### 4. PWRBTN: External Power On Button



PIN	DESCRIPTION
1	GND
2	PWRBT#

### 5. RESET: External Reset Button Connector



PIN	DESCRIPTION
1	GND
2	SHB_RST#

## 6. PWRGD: External Power Good Connector



PIN	DESCRIPTION
1	GND
2	PWRGD

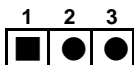
## 7. SM-BUS: External System Management BUS Connector



PIN	DESCRIPTION
1	SMDATA
2	SMBCLK

## 8. CN2: PCIE X8 SDVO Control Signal Pin

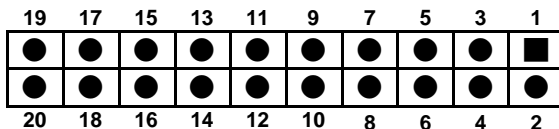
The CN2 indicators are for controlling your PCIE X8 board.



PIN	DESCRIPTION
1	EXP_EN
2	SDVO_CLK
3	SDVO_DAT

## 9. IOPWR: The I/O Power Connector indicators for controlling your CPU board.

PIN NO.	DESCRIPTION	PIN NO.	DESCRIPTION
1	GND	2	-12V
3	+12V	4	GND
5	IPMB_DA	6	5VSB
7	GND	8	GND
9	IPMB_CL	10	5VSB
11	+5V	12	PWRGD
13	SMDAT	14	SHB_RST#
15	5VSB	16	GND
17	SMCLK	18	PSON#
19	+3.3V	20	PWRBT#

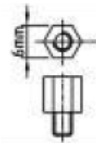


### 10. PCI routing table:

SIGNAL	REQ#	GNT#	IDSEL	INTA#	INTB#	INTC#	INTD#
PIN No.	B18	A17	A26	A6	B7	A7	B8
PCI1	REQ0#	GNT0#	AD31	B	C	D	A
PCI2	REQ1#	GNT1#	AD30	C	D	A	B
PCI3	REQ2#	GNT2#	AD29	D	A	B	C

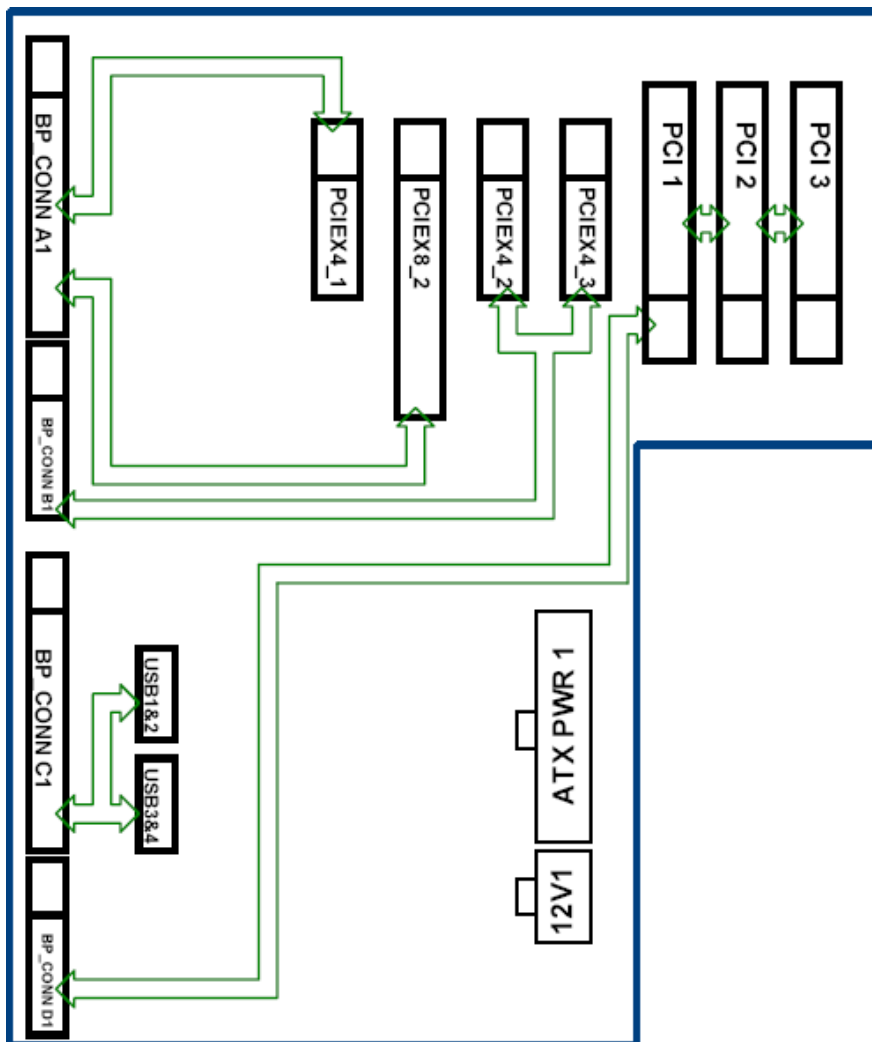
### 11. Notice:

- a. Recommend to use 6mm width spacer to install



- b. Torsion must less than 6lb-inch

## 12. Block Diagram



### 13. Dimension:

