

MPX-210

User's Manual

Edition 1.0

2013/11/21



Copyright

Copyright 2013 all rights reserved. This document is copyrighted and all rights are reserved. The information in this document is subject to change without prior notice to make improvements to the products.

This document contains proprietary information and protected by copyright. No part of this document may be reproduced, copied, or translated in any form or any means without prior written permission of the manufacturer.

All trademarks and/or registered trademarks contains in this document are property of their respective owners.

Disclaimer

The company shall not be liable for any incidental or consequential damages resulting from the performance or use of this product.

The company does not issue a warranty of any kind, express or implied, including without limitation implied warranties of merchantability or fitness for a particular purpose.

The company has the right to revise the manual or include changes in the specifications of the product described within it at any time without notice and without obligation to notify any person of such revision or changes.

Trademark

All trademarks are the property of their respective holders.

Any questions please visit our website at <http://www.commell.com.tw>.

Packing List:

Hardware:

MPX-210 Mini-PCI Express LAN Card x1

CD Content:

Drivers & User's Manual

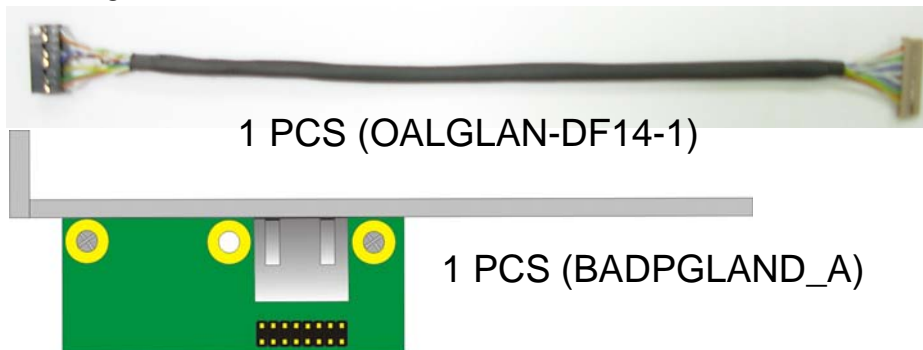
Product Specification

General Specification

Form Factor	Mini-PCI Express with 52-pin interface
Controller	Intel® I210-AT Gigabit Ethernet
Compliance	IEEE 802.3 Ethernet interface for 1000Base-T, 100Base-TX, and 10Base-T applications (802.3, 802.3u, 802.3ab).
Advanced technologies	IPMI pass-through via SMBus or NC-SI, MCTP protocol over SMBus, MCTP protocol over PCIe, WoL, PXE remote boot, iSCSI boot, VLAN filtering,
Transfer Rate	1000 Mb/s, 100 Mb/s, or 10 Mb/s
Dimensions (W x D)	30.00mm x 50.95mm
Support OS	Win7x86, Win7x64, Win8x86, Winx64, Win2012, Win8.1x86, Win8.1x64

Cable kit:

MPX-210D:

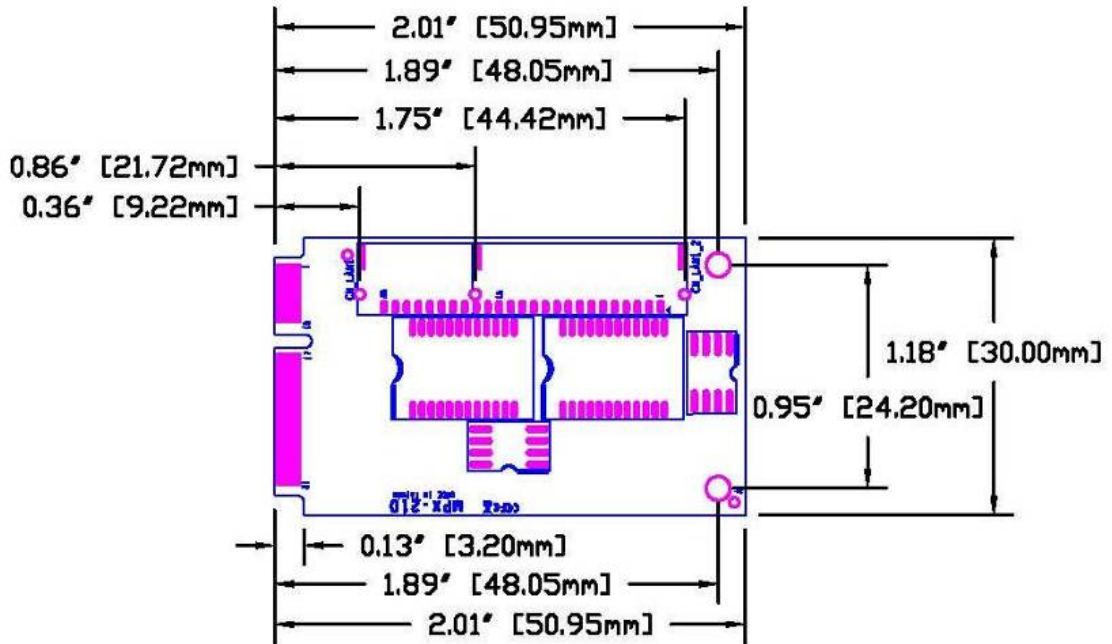


MPX-210D2:

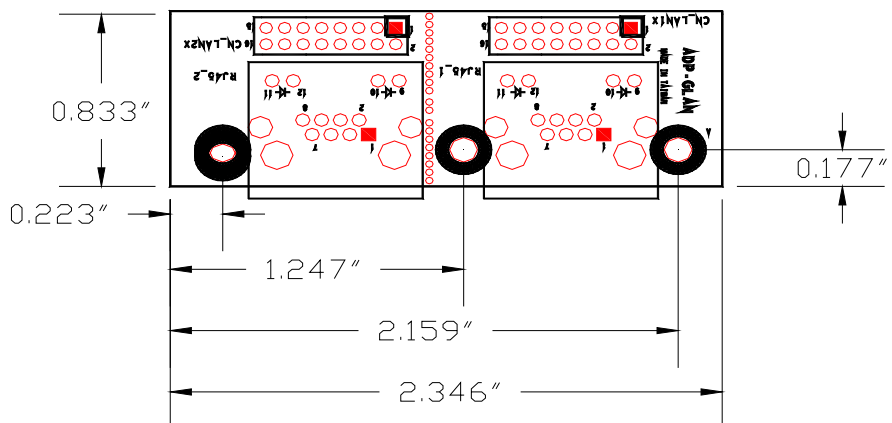


Mechanical Drawing

MPX-210:

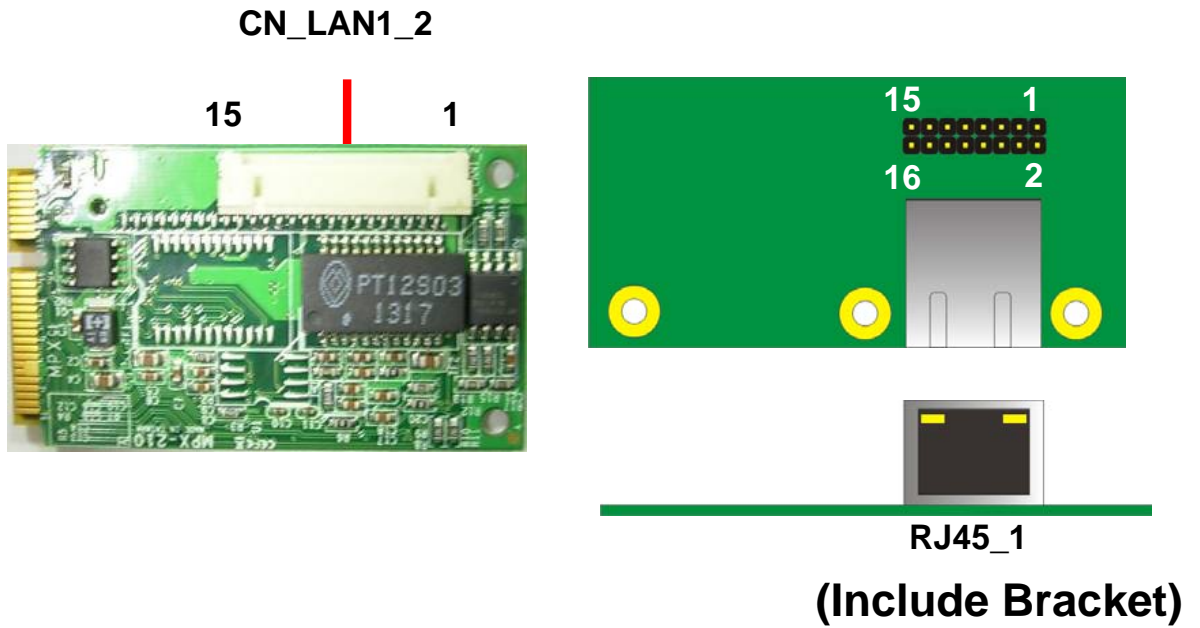


LAN Adapter:

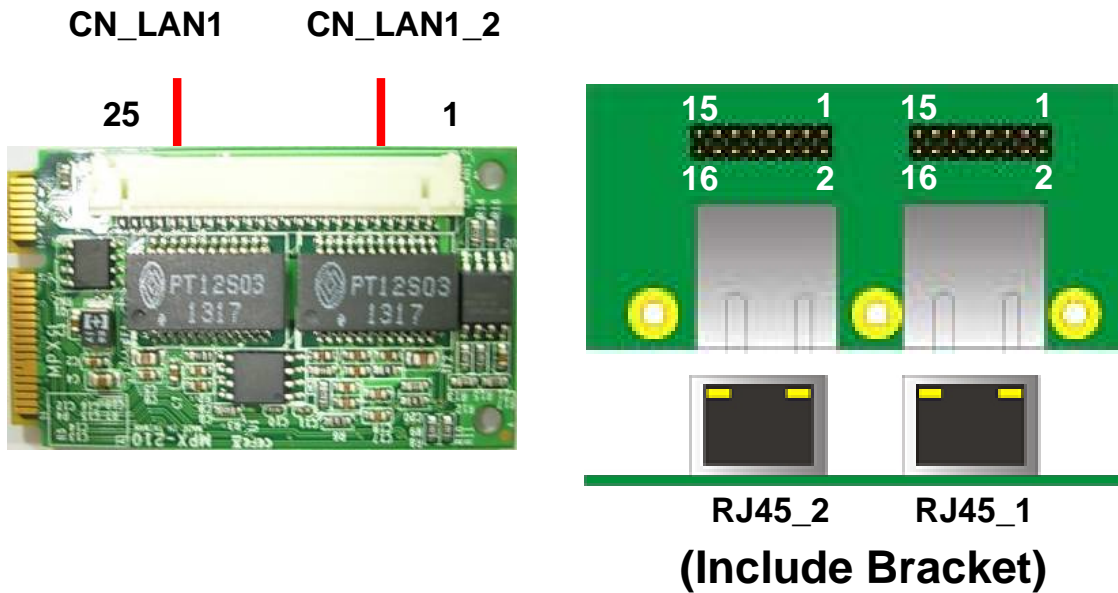


Component Placement

MPX-210D:



MPX-210D2:



Connector Reference

Connector: CN_LAN1/2 (MPX-210D2)

Connector Type:

25-pin pitch-1.25mm SYRS12525AR003 connector

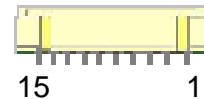


Pin	Description	Pin	Description
1	RTD10+	2	RTD10-
3	RTD11+	4	RTD11-
5	RTD12+	6	RTD12-
7	RTD13+	8	RTD13-
9	RLINK1G1-	10	RLINK1H1-
11	RACTLED1-	12	RLINK1
13	GND	14	RTD20+
15	RTD20-	16	RTD21+
17	RTD21-	18	RTD22+
19	RTD22-	20	RTD23+
21	RTD23-	22	RLINK1G2-
23	RLINK1H2-	24	RACTLED2-
25	RLINK2		

Connector: CN_LAN1 (MPX-210D)

Connector Type:

15-pin pitch-1.25mm SYRS12515AR003 connector

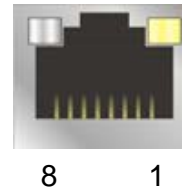


Pin	Description	Pin	Description
1	RTD10+	2	RTD10-
3	RTD11+	4	RTD11-
5	RTD12+	6	RTD12-
7	RTD13+	8	RTD13-
9	RLINK1G1-	10	RLINK1H1-
11	RACTLED1-	12	RLINK1
13	GND	14	RTD20+
15	RTD20-		

LAN Connector: RJ45_1/2

Connector Type:

16-pin (8 x 2) 2.0 x 2.0 mm header



RJ45 10/100/1000Mbps connector (MPX-210)

Pin	1	2	3	4	5	6	7	8
Description	MDI0+	MDI0-	MDI1+	MDI1-	MDI2+	MDI2-	MDI3+	MDI3-

Contact Information

Any advice or comment about our products and service, or anything we can help you please don't hesitate to contact with us. We will do our best to support you for your products, projects and business.

Taiwan Commate Computer Inc.

Address	19F, No. 94, Sec. 1, Shin Tai Wu Rd., Shi Chih Taipei Hsien, Taiwan
TEL	+886-2-26963909
FAX	+886-2-26963911
Website	http://www.commell.com.tw
E-Mail	info@commell.com.tw (General Information) tech@commell.com.tw (Technical Support)

Commell is the trademark of Taiwan Commate Computer INC.