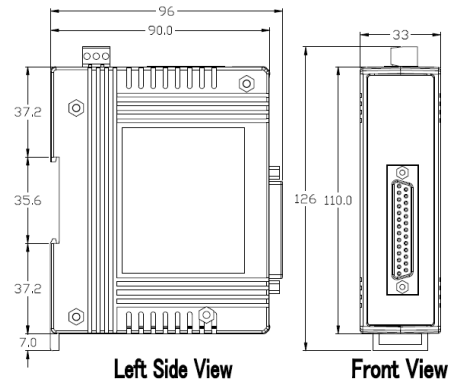


# Isolated 8-ch Thermocouple AI EtherNet/IP module

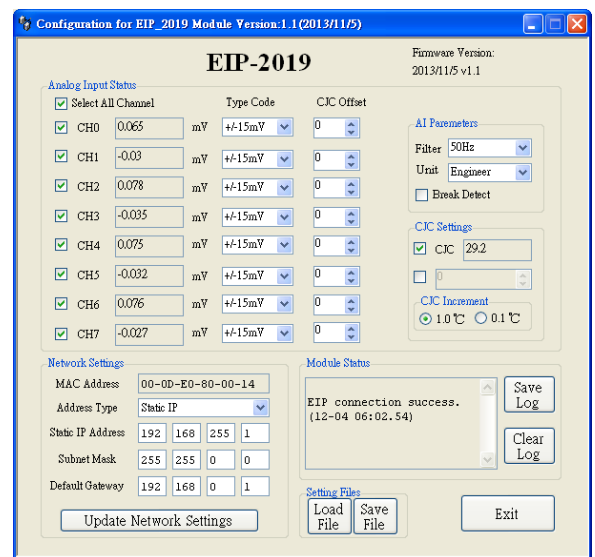


## EIP-2019

The EIP-2019 is an 8-ch remote analog input module. It supports not only voltage and current (internal resistors selectable) input type but also thermocouple type with B,C,E,J,K,N,R,S,T. There is an automatically cold-junction compensation (CJC) for each channel. The accuracy of the measurement is smaller than 0.1% FSR. The Module is designed as an EtherNet/IP adapter. Users can obtain the input status as well as the connection status of the EIP-2019 by the LEDs indication. In addition, ICPDAS provides software utility to easily configure and test the EIP-2000 modules via Ethernet.

### Features

- Transfer protocol: EtherNet/IP
- Powerful 32-bit MCU handles efficient network traffic
- 10/100 Base-TX Ethernet, RJ-45 x 2 (Auto-negotiating, auto MDI/MDIX, LED Indicators)
- Support ARP, TCP, UDP, ICMP, DHCP, BOOTP and TFTP protocols
- Easy firmware update via Ethernet
- Removable terminal block connector
- LED display to indicate the I/O status
- 8-ch analog Inputs
- Internal resistors (125 Ω) selectable
- Support cold-junction compensation (CJC)
- RoHS compliant

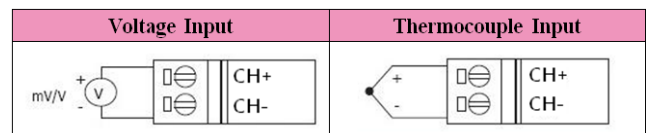


### Utility Features

ICP DAS provides the EIP-2000 configuration utility for Windows 2K/XP/Vista and Win 7.

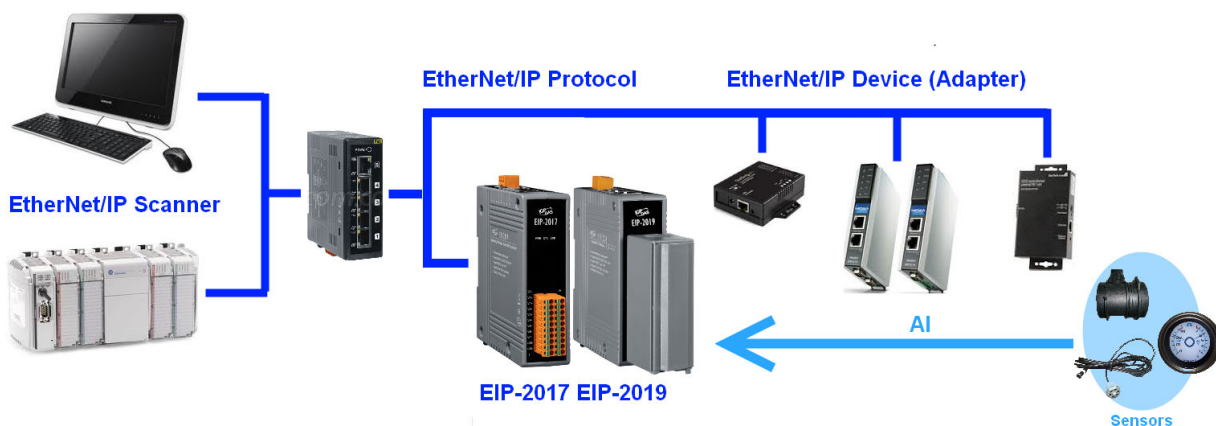
- Network parameters configuration
- AI parameters configuration
- CJC settings adjustment
- Functions configuration such as Type Code selection.
- Easy test to transmit/receive the I/O status by EtherNet/IP
- Setting files management

### Wire connection



Analog Input	
Channels	8-ch Thermocouple Analog Input
Input Type	Voltage: ±15 mV, ±50 mV, ±100 mV, ±150 mV, ±500 mV, ±1 V, ±2.5 V, ±5 V, ±10 V Current : ±20 mA (Jumper Selectable)
Resolution	24bits
Sampling Rate	10 samples/ second
Accuracy	+/-0.1%
Zero Drift	+/-20uV/°C
Span Drift	+/-25ppm/°C
Input Impedance	Voltage Input: >400 kΩ, Current Input: 125 Ω
Intra-Module Isolation, Field-to-Logic	3000 VDC
Overvoltage protection	240 Vrms
Individual Channel Configuration	Yes
Open Wire Detection	Yes
Communication Interface	
Connector	10/100 Base-TX, 8-pin RJ-45 x 2, Support daisy chain connection.
Standard Supported	IEEE 802.3 Ethernet/IP
Power	
Input Voltage Range	10V ~ 30V
Power Consumption	3.8W
Mechanism	
Installation	DIN-Rail
Dimensions	110mm x 90mm x 33mm (H x W x D)
Environment	
Storage Temperature	-30°C ~ +80°C

## Applications



## Ordering Information

**EIP-2019 CR** Isolated 8-ch Thermocouple AI EtherNet/IP Module (RoHS) **Ct v0P q0354887**