

Features

- Built-in Web Server
- Web HMI
- Support for both Modbus TCP and Modbus UDP Protocols
- Communication Security
- 2-port Ethernet Switch for Daisy-Chain Topology
- Dual Watchdog
- Wide Operating Temperature Range: -25 ~ +75°C
- I/O Pair Connection
- Built-in I/O
 - Power Relay: 11 Channels



Introduction

The ET-7261/PET-7261 provides 11 form A electromechanical relays. It features optical isolation for 3000 Vdc of transient overvoltage protection and doesn't have channel-to-channel isolation. The power-on value and safe value of relay are programmable. It can safely be used in applications where hazardous voltages are present.

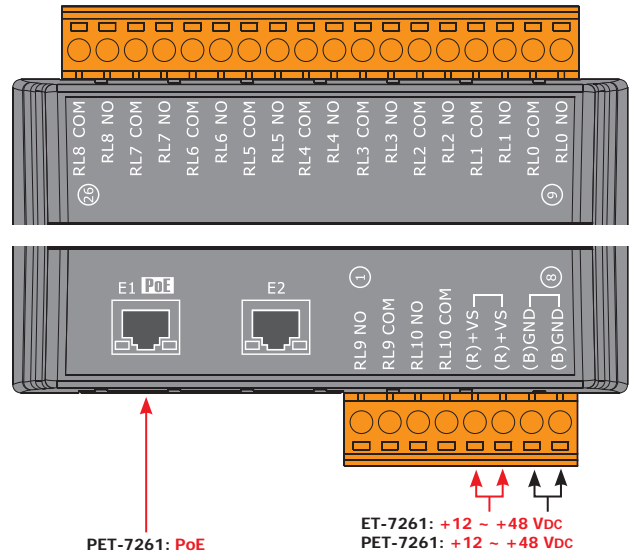
System Specifications

| Models | ET-7261 | PET-7261 |
|-----------------------------|--|---------------------------|
| Software | | |
| Built-in Web Server | | Yes |
| Web HMI | | Yes |
| I/O Pair Connection | | Yes |
| Communication | | |
| Ethernet Port | 2 x RJ-45, 10/100 Base-TX, Switch Ports | |
| PoE | - | Yes |
| Protocol | Modbus TCP, Modbus UDP | |
| Security | ID, Password and IP Filter | |
| Dual Watchdog | Yes, Module (0.8 seconds), Communication (Programmable) | |
| LED Indicators | | |
| for System Running | | Yes |
| for Ethernet Link/Act | | Yes |
| for DI/DO status | | Yes |
| for PoE Power | - | Yes |
| 2-Way Isolation | | |
| Ethernet | 1500 Vdc | - |
| I/O | 3000 Vdc | |
| EMS Protection | | |
| ESD (IEC 61000-4-2) | ±4 kV Contact for Each Terminal and ±8 kV Air for Random Point | |
| EFT (IEC 61000-4-4) | ±4 kV for Power Line | |
| Surge (IEC 61000-4-5) | ±2 kV for Power Line | |
| Power | | |
| Reverse Polarity Protection | | Yes |
| Powered from Terminal Block | 12 ~ 48 Vdc | 12 ~ 48 Vdc |
| Powered from PoE | - | Yes, IEEE 802.3af, Class1 |
| Consumption | 4.4 W (Max.) | 4.6 W (Max.) |
| Mechanical | | |
| Dimensions (L x W x H) | 120 mm x 76 mm x 38 mm | |
| Installation | DIN-Rail or Wall Mounting | |
| Environment | | |
| Operating Temperature | -25 ~ +75°C | |
| Storage Temperature | -30 ~ +80°C | |
| Humidity | 10 ~ 90% RH, Non-condensing | |

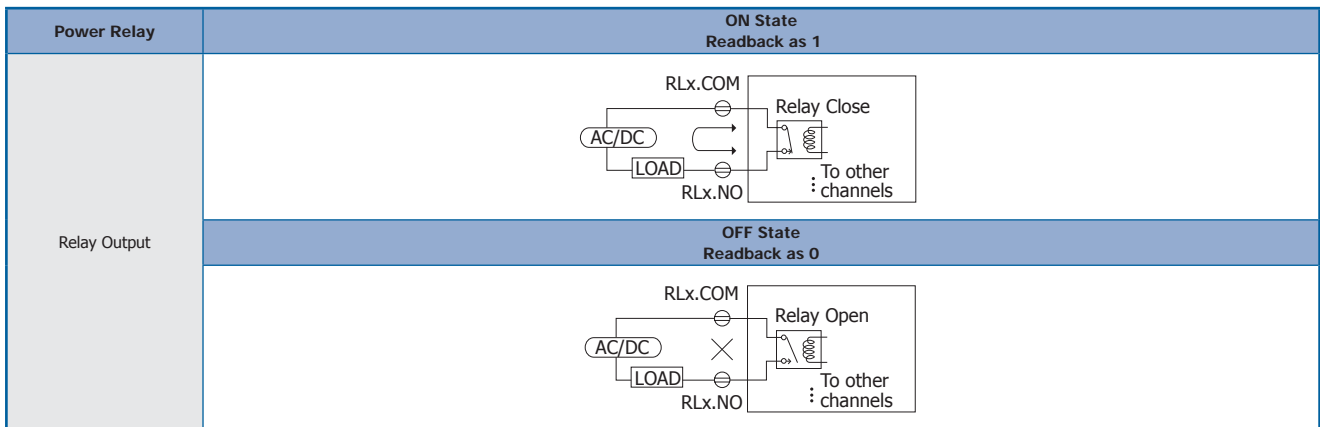
I/O Specifications

| Power Relay | |
|----------------------|---------------------------------------|
| Channels | 11 |
| Type | Power Relay, Form A (SPST N.O.) |
| Contact Rating | 5 A @ 250 VAC/24 VDC (Resistive Load) |
| Min. Contact Load | 10 mA @ 5 V |
| Operate Time | 10 ms (max.) |
| Release Time | 5 ms (max.) |
| Mechanical Endurance | 2 × 10 ⁷ ops. |
| Electrical Endurance | 10 ⁵ ops. |
| Power-on Value | Yes, Programmable |
| Safe Value | Yes, Programmable |

Pin Assignments



Wire Connections



Ordering Information

| | | |
|-------------|--|-----------------|
| ET-7261 CR | Ethernet I/O Module with 2-port Ethernet Switch, with 11-channels Relay (RoHS) | Art. No. 141430 |
| PET-7261 CR | PoE Ethernet I/O Module with 2-port Ethernet Switch, with 11-channels Relay (RoHS) | Art. No. 142690 |