

# DC-DC4

---

## Power Convert Module

### User's Manual

Edition 1.2  
2016/11/16



---

## Copyright

Copyright 2014, all rights reserved. This document is copyrighted and all rights are reserved. The information in this document is subject to change without prior notice to make improvements to the products.

This document contains proprietary information and protected by copyright. No part of this document may be reproduced, copied, or translated in any form or any means without prior written permission of the manufacturer.

All trademarks and/or registered trademarks contains in this document are property of their respective owners.

## Disclaimer

The company shall not be liable for any incidental or consequential damages resulting from the performance or use of this product.

The company does not issue a warranty of any kind, express or implied, including without limitation implied warranties of merchantability or fitness for a particular purpose.

The company has the right to revise the manual or include changes in the specifications of the product described within it at any time without notice and without obligation to notify any person of such revision or changes.

## Trademark

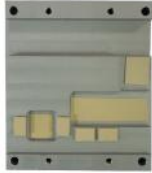
All trademarks are the property of their respective holders.

---

Any questions please visit our website at <http://www.commell.com.tw>

## Packing List:

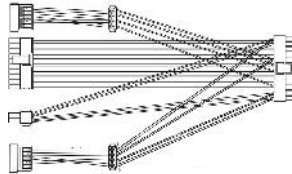
Please check the package content before you starting using the board.



1 x DC-DC4 Power Convert Module  
(include heat spreader)



1 x 12V Power Cable  
(OAL4P / 1040049)



1 x ATX Power Cable  
(OALPW-2S2P / 1040618)

## Printed Matters:

Driver CD x 1 (Including User's Manual)

## 1. <Product Specification>

### Mechanical & Environmental

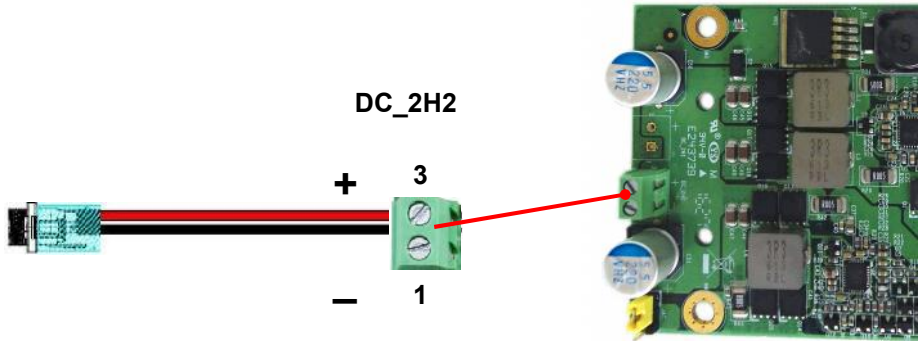
Dimensions (L x W)	101mm x 63mm
Temperature	Operating within 0~60℃
Relative Humidity	10%~90%, non-condensing
Ordering Code	<b>DC-DC4</b> : 140W DC/DC Power Converter. (With terminal connector and heat spreader)

### Power output

	Range	Max Load
+3.3V	3.14~3.47	7A
+5V	4.75~5.25	7A
+5VSB		
+12V	11.4~12.6	6.5A
-12V	-10.8~-13.2	0.5A

## 2. <Power Supply>

### 2.1 <Power Input>

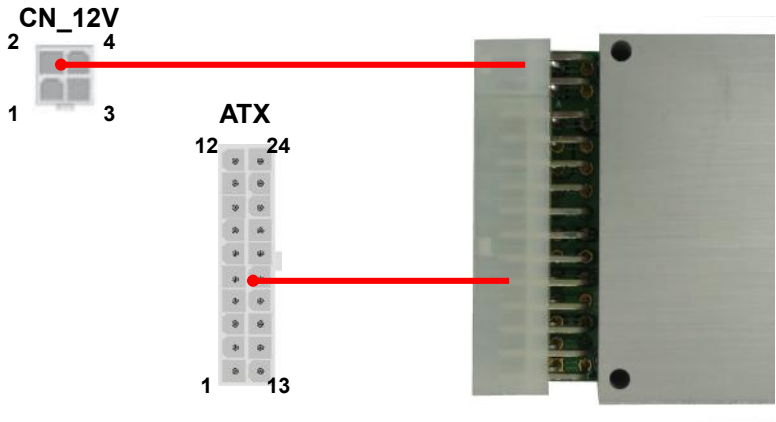


DC\_2H2: Terminal Block 2-pin power connector

Pin	Signal	Pin	Signal
1	GND	3	Power in

**DC-DC4 support 6~30V wide voltage input.**

## 2.2 <Power Output>



**CN\_12V:** 4-pin 12V connector

Pin	Signal	Pin	Signal
1	GND	2	GND
3	12V	4	12V

**ATX:** main power 24-pin connector

Pin	Signal	Pin	Signal
1	3.3V	13	3.3V
2	3.3V	14	-12V
3	GND	15	GND
4	5V	16	-PSON
5	GND	17	GND
6	5V	18	GND
7	GND	19	GND
8	Power_OK	20	NC
9	5VSB	21	5V
10	12V	22	5V
11	12V	23	5V
12	3.3V	24	GND

### 3. <Jumper Location and Reference>



**JAT:** AT/ATX mode select jumper

Jumper settings	Function
1-2	ATX mode (Default)
2-3	AT mode

## Contact Information

Any advice or comment about our products and service, or anything we can help you please don't hesitate to contact with us. We will do our best to support you for your products, projects and business.

### Taiwan Commate Computer Inc.

---

Address	19F., No.94, Sec. 1, Xintai 5th Rd., Xizhi Dist., New Taipei City 22102, Taiwan
TEL	+886-2-26963909
FAX	+886-2-26963911
Website	<a href="http://www.commell.com.tw">http://www.commell.com.tw</a>
E-Mail	<a href="mailto:info@commell.com.tw">info@commell.com.tw</a> (General Information) <a href="mailto:tech@commell.com.tw">tech@commell.com.tw</a> (Technical Support)

---

**Commell is a brand name of Taiwan commate computer Inc.**