

Main Features

- Intel® Ethernet Controller i350-AM2
- Support M.2 Key M Card Type
- Flexible daughter board with cable to fit into different system
- Quickly adds four independent Gigabit Ethernet ports through an available PCI Express slot to server or desktop systems.
- Compliant with IEEE 802.3, 802.3u, 802.3ab
- Support IEEE 1588

Product Overview

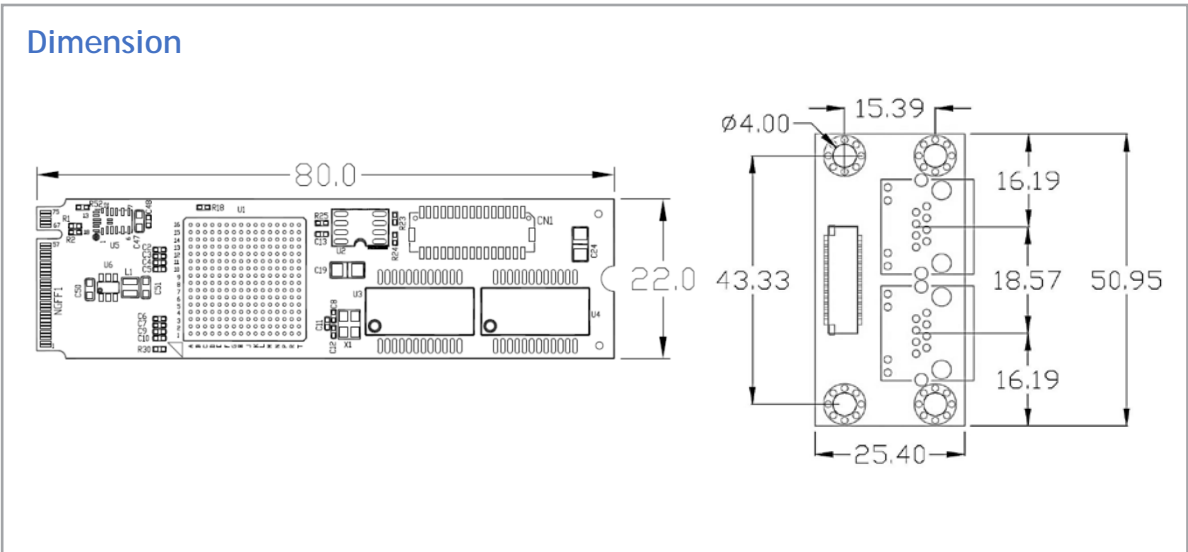
Dual-Port Gigabit Ethernet Module – NF350D is designed to add two RJ-45 Gigabit Ethernet ports to provide flexible network expansion for all kinds of embedded systems. It delivers up to 1000 Mb/s data transfer rate for high speed, high-bandwidth data or multimedia content transferring.

It also supports full duplex mode and power management feature for increased speed and power efficiency. It instantly enhances your networking performance with high speed, high-bandwidth reliable network connectivity from a workstation with 10/100/1000 Ethernet port or without networking capability.

NF350D features innovative power management including Energy Efficient Ethernet (EEE) and DMA Coalescing to increase efficiency and reduce power consumption.

Specifications

Chipset	Intel I350 Gigabit Controller
Bus Interface	PCI-Express , M.2 Key M
Whole Duplex	Compatible Whole Duplex and Half Duplex
Network Interface Type	RJ-45 Copper *2
Transmission Speed	10/100/1000Mbps
Transmission Medium Type	100, 1000Mbps with 100 Meter UTP-5e, 10Mbps UTP-3e
Network Standard	IEEE802.3 (10BASE-T, 100BASE-T, 1000BASE-T)
Module	10/100/1000BASE-T
Compatible Operating System	Windows 7
	Windows 8.1
	Windows 10
	Windows Server 2008 R2
	Windows Server 2012
	Windows Server 2012 R2
	Windows Server 2008
	Windows Server 2008 R2
Working Temperature	-10°C-55°C

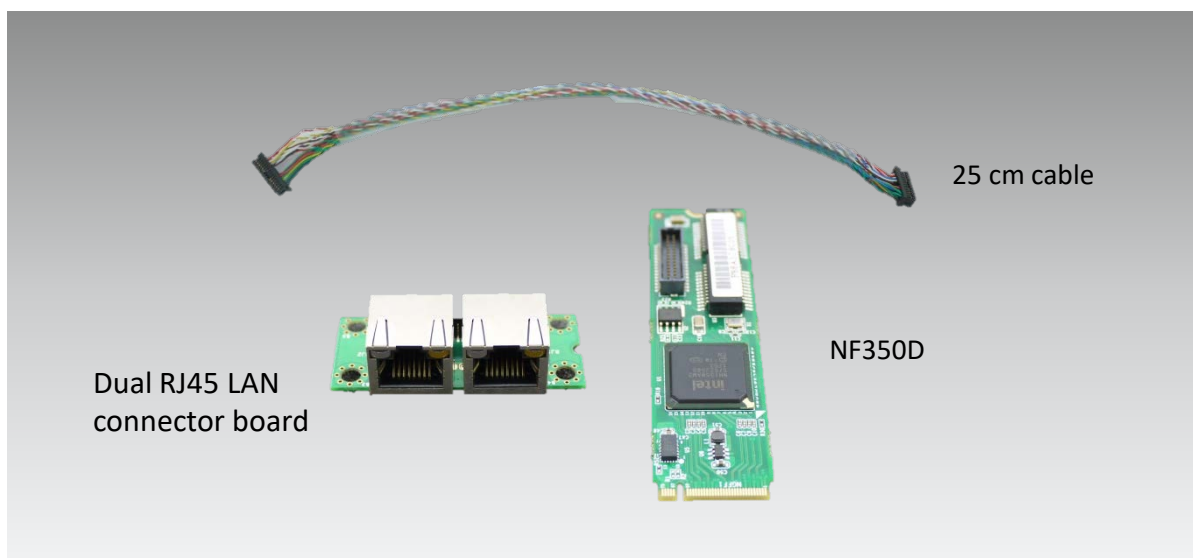


Ordering Information

NF350D Art. No. 156104

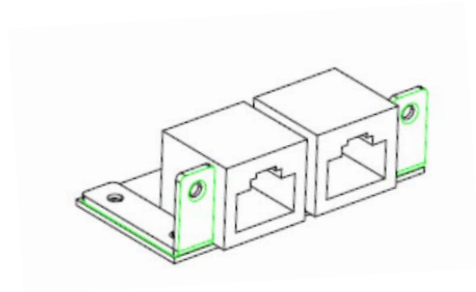
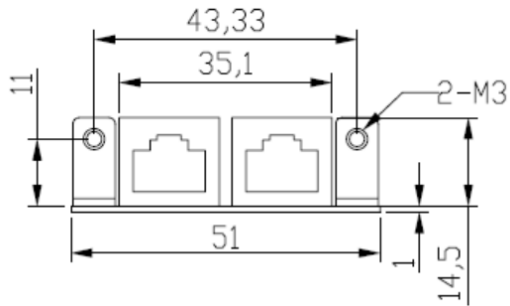
- M.2 Key M , size : 2280
- 2 ports RJ45 with Intel I350 Controller
- With 25cm cable and Dual RJ45 LAN connector board
- Support Intel® Virtualization Technology: VMDq, IEEE1588, SR-IOV, DDIO.

Front view

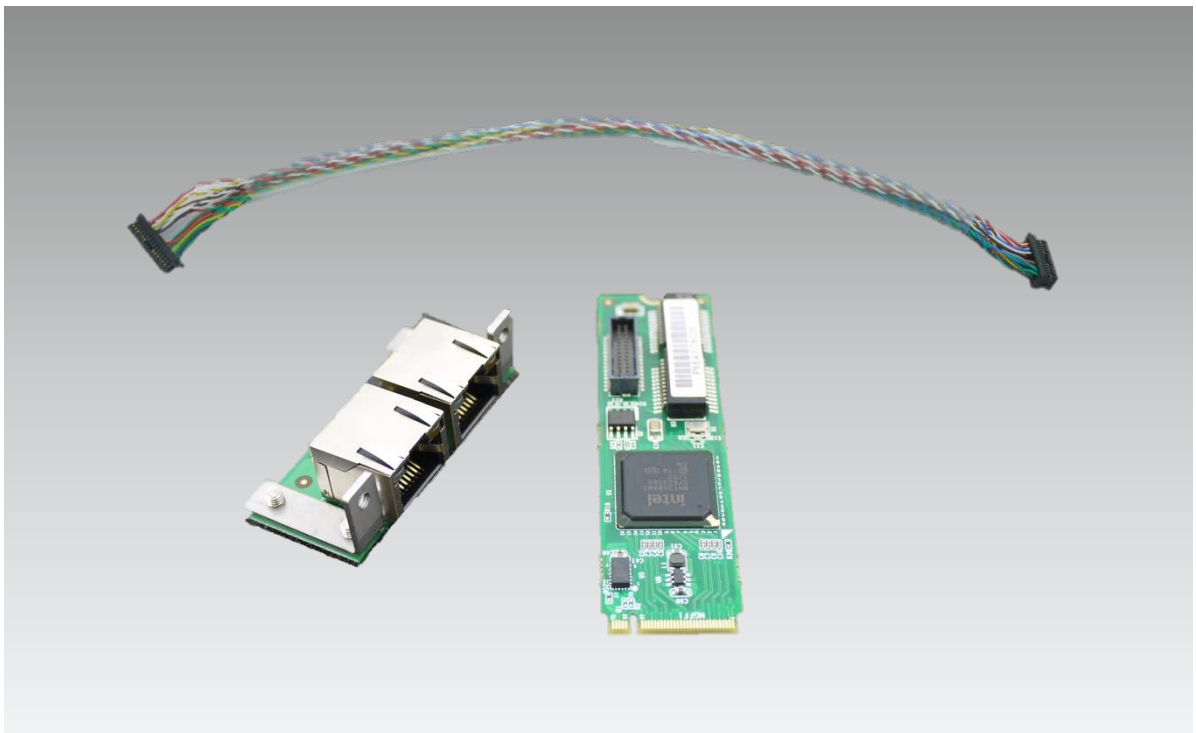


Optional Accessory Kit For NF series

Dimension



Front view



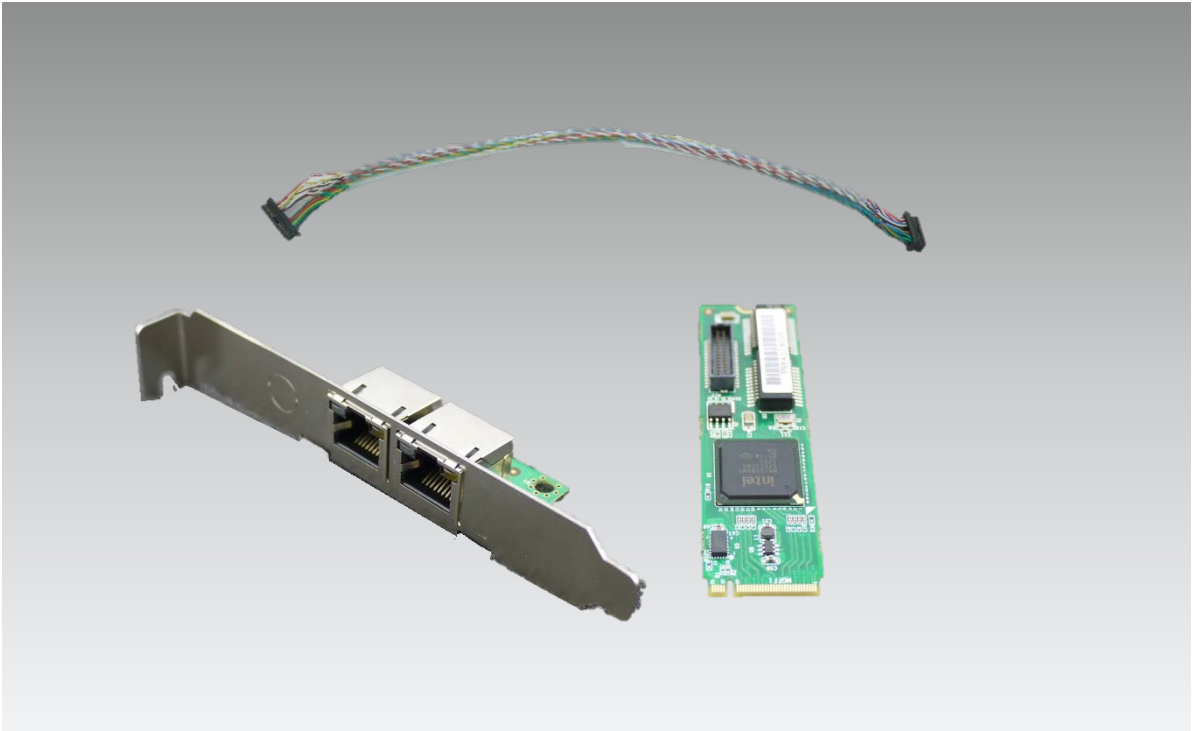
Ordering Information

Mounting kit for Embedded System

- 2 brick for Mounting on front panel.
- With 6 Screw .

Optional Accessory Kit For NF series

Front view



Ordering Information

Bracket kit for Embedded System

- Bracket for Mounting on front panel.