

User Manual

TPM-3615PR

**Full System IP66/69K Protected 15" Stainless Steel Industrial Monitor
with Capacitive/Resistance Touch, Bedienfront Monitore**

Record of Revision

Version	Issued Date	Description	Owner
v0.1	2021.3.10	First Release	Derek

Copyright

The documentation and the software included with this product are copyrighted 2014 by Arestech Co., Ltd. All rights are reserved. Arestech Co., Ltd. reserves the right to make improvements in the products described in this manual at any time without notice. No part of this manual may be reproduced, copied, translated or transmitted in any form or by any means without the prior written permission of Arestech Co., Ltd. Information provided in this manual is intended to be accurate and reliable. However, Arestech Co., Ltd. assumes no responsibility for its use, nor for any infringements of the rights of third parties, which may result from its use.

Acknowledgements

Intel and Pentium are trademarks of Intel Corporation.

Microsoft Windows and MS-DOS are registered trademarks of Microsoft Corp.

All other product names or trademarks are properties of their respective owners.

Product Warranty

Arestech warrants to you, the original purchaser, that each of its products will be free from defects in materials and workmanship for two years from the date of purchase. This warranty does not apply to any products which have been repaired or altered by persons other than repair personnel authorized by Arestech, or which have been subject to misuse, abuse, accident or improper installation. Arestech assumes no liability under the terms of this warranty as a consequence of such events. Because of Arestech's high quality-control standards and rigorous testing, most of our customers never need to use our repair service. If an Arestech product is defective, it will be repaired or replaced at no charge during the warranty period. For outof- warranty repairs, you will be billed according to the cost of replacement materials, service time and freight. Please consult your dealer for more details.

If you think you have a defective product, follow these steps:

1. Collect all the information about the problem encountered. (For example, CPU speed, Arestech products used, other hardware and software used, etc.) Note anything abnormal and list any onscreen messages you get when the problem occurs.
2. Call your dealer and describe the problem. Please have your manual, product, and any helpful information readily available.

3. If your product is diagnosed as defective, obtain an RMA (return merchandise authorization) number from your dealer. This allows us to process your return more quickly.
4. Carefully pack the defective product, a fully-completed Repair and Replacement Order Card and a photocopy proof of purchase date (such as your sales receipt) in a shippable container. A product returned without proof of the purchase date is not eligible for warranty service.
5. Write the RMA number visibly on the outside of the package and ship it prepaid to your dealer.

Safety Instructions

1. Read these safety instructions carefully.
 2. Keep this User Manual for later reference.
 3. Disconnect this equipment from any AC outlet before cleaning. Use a damp cloth. Do not use liquid or spray detergents for cleaning.
 4. For plug-in equipment, the power outlet socket must be located near the equipment and must be easily accessible.
 5. Keep this equipment away from humidity.
 6. Put this equipment on a reliable surface during installation. Dropping it or letting it fall may cause damage.
 7. The openings on the enclosure are for air convection. Protect the equipment from overheating. **DO NOT COVER THE OPENINGS.**
 8. Make sure the voltage of the power source is correct before connecting the equipment to the power outlet.
 9. Position the power cord so that people cannot step on it. Do not place anything over the power cord.
 10. All cautions and warnings on the equipment should be noted.
 11. If the equipment is not used for a long time, disconnect it from the power source to avoid damage by transient overvoltage.
 12. Never pour any liquid into an opening. This may cause fire or electrical shock.
 13. Never open the equipment. For safety reasons, the equipment should be opened only by qualified service personnel.
- If one of the following situations arises, get the equipment checked by service personnel:
 - The power cord or plug is damaged.

- Liquid has penetrated into the equipment.
 - The equipment has been exposed to moisture.
 - The equipment does not work well, or you cannot get it to work according to the user's manual.
 - The equipment has been dropped and damaged.
 - The equipment has obvious signs of breakage.
14. DO NOT LEAVE THIS EQUIPMENT IN AN ENVIRONMENT WHERE THE STORAGE TEMPERATURE MAY GO BELOW -20° C (-4° F) OR ABOVE 60° C (140° F). THIS COULD DAMAGE THE EQUIPMENT. THE EQUIPMENT SHOULD BE IN A CONTROLLED ENVIRONMENT.
 15. CAUTION: DANGER OF EXPLOSION IF BATTERY IS INCORRECTLY REPLACED. REPLACE ONLY WITH THE SAME OR EQUIVALENT TYPE RECOMMENDED BY THE MANUFACTURER, DISCARD USED BATTERIES ACCORDING TO THE MANUFACTURER'S INSTRUCTIONS.

Safety Precaution - Static Electricity

Follow these simple precautions to protect yourself from harm and the products from damage.

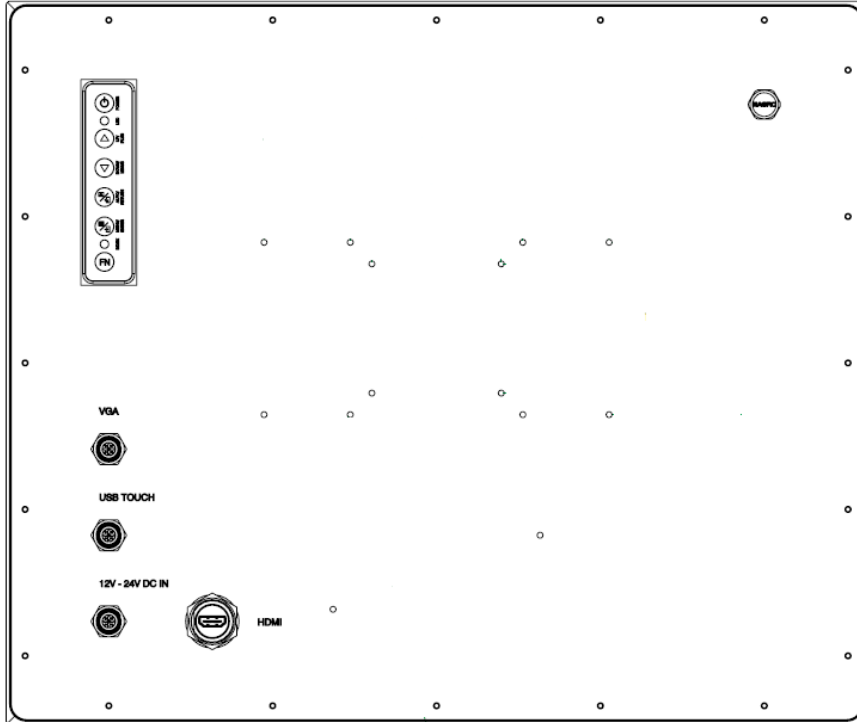
- To avoid electrical shock, always disconnect the power from your PC chassis before you work on it. Don't touch any components on the CPU card or other cards while the PC is on.
- Disconnect power before making any configuration changes. The sudden rush of power as you connect a jumper or install a card may damage sensitive electronic components.

Contents

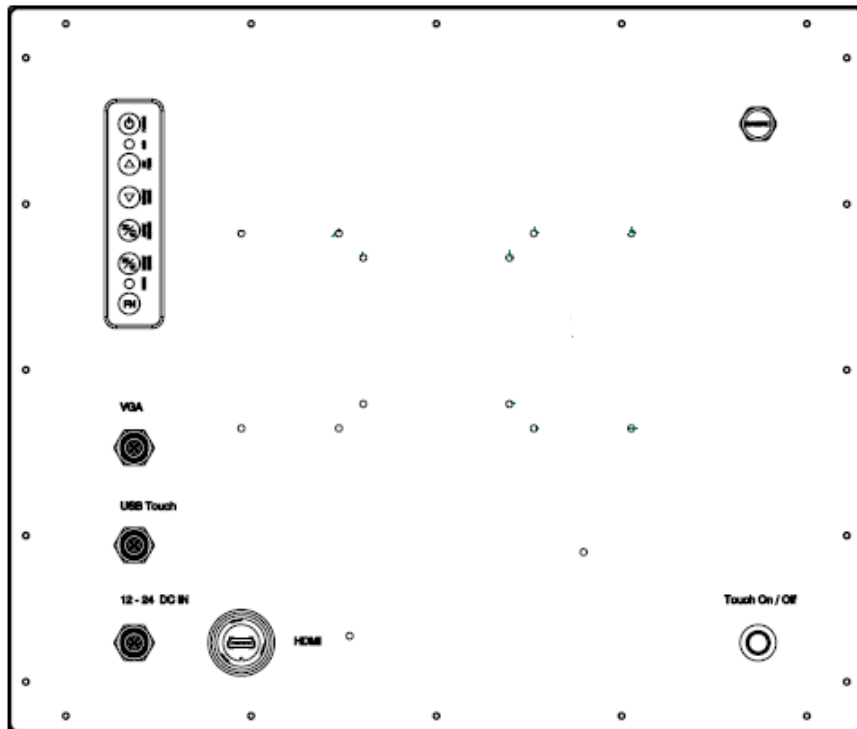
Chapter 1: General Introduction	1
1.1 I/O Arrangement.....	1
1.2 OSD Key Use instructions.....	5
1.3 Mechanical Dimension.....	8
Chapter 2: VESA Mounting	9
2.1 VESA Mounting.....	9
2.2 Yoke Mounting.....	10
2.3 Wall Mounting.....	11
Chapter 3. System Setup	13
3.1 Power Installation Procedure.....	13
3.2 Resistive touch setting.....	14

1.1 I/O Arrangement

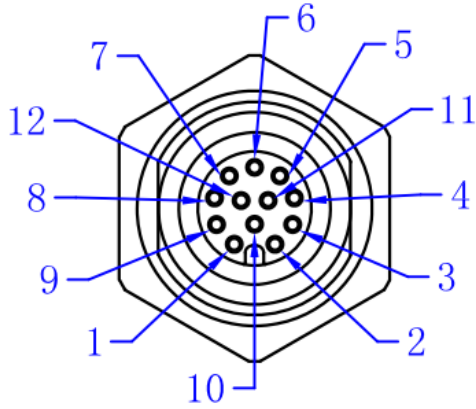
Resistance IO



Capacitive IO

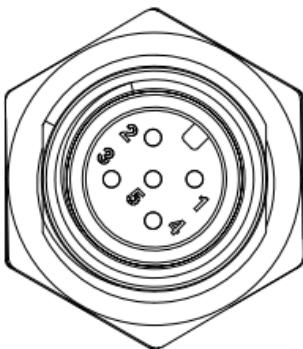


VGA M12 Port Female 12pin



Pin	Definition	Pin	Definition
1	RED Gnd	7	BLUE
2	RED	8	GREEN GND
3	SDA	9	GREEN
4	GND	10	HS
5	GND	11	SCL
6	BLUE GND	12	VS

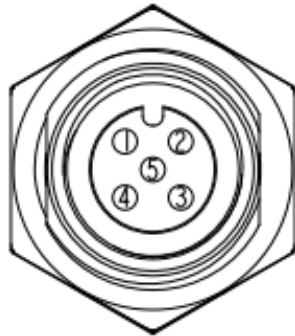
■ **M12 USB Port Male 5pin**



Pin	Definition
1	+5
2	D-
3	D+
4	GND
5	SHILDING

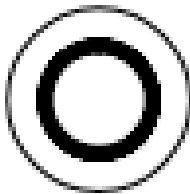
*** Only Touch control Use**

- **M12 12/24V DC IN Female 5pin**



Pin	Definition
1	VCC
2	VCC
3	GND
4	GND

- **Touch On/Off Button**



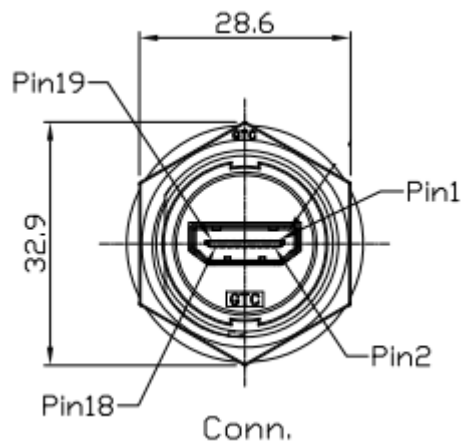
LIGHT	Stauts
Green	ON ->ACTIVE
No light	OFF->NO ACTIVE

- **Pressure Relief Valve**



Quickly discharge moisture and pressure, keep the internal pressure of the machine balanced, and effectively prevent the invasion of water and dust

■ Waterproof HDMI (Option)




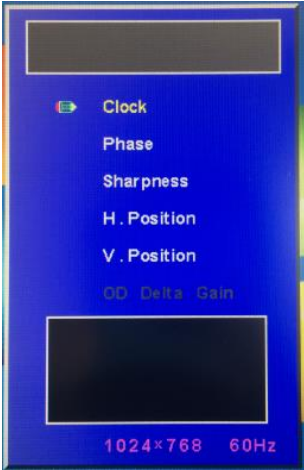

Pin	Definition	Pin	Definition
1	TMDS Data2+	2	TMDS Data2 Shield
3	TMDS Data2 -	4	TMDS Data1+
5	TMDS Data1 Shield	6	TMDS Data1-
7	TMDS Data0+	8	TMDS Data0 Shield
9	TMDS Data0-	10	TMDS Clock+
11	TMDS Clock Shield	12	TMDS Clock-
13	Reserved	14	Reserved
15	SCL	16	SDA
17	DDCGround	18	+5 V Power
19	Hot Plug Detect		

1.2 OSD Key Use instructions



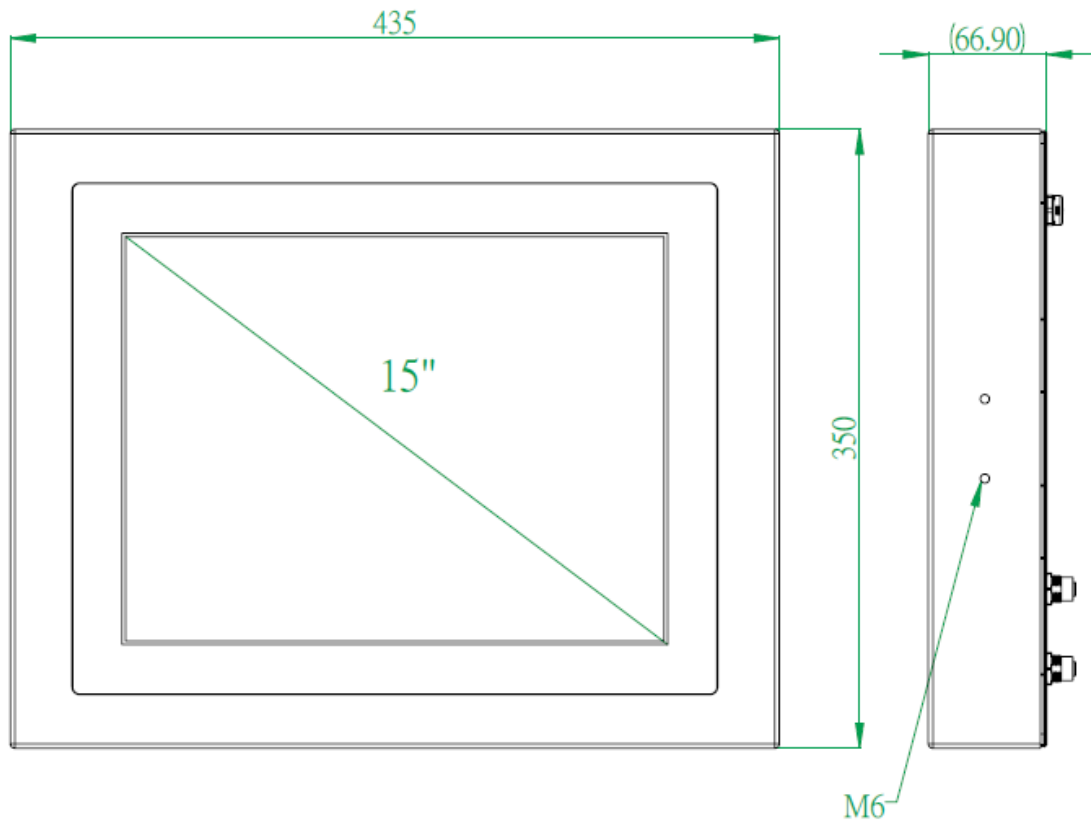
- Power Key: LCD power key
- LED lights: two-color LED (ON->Green/OFF-->Red)
- Key: increase the brightness of the keys; Menu key for Up
- Key: decrease the brightness keys; Menu key for Down
- Menu / Select: Menu key to open, which is open after the Menu selection key
- Auto / Exit: Auto Adjust picture correction; Menu key for Exit
- INDEX LED lights:(Option)
- FN:Function Key(Optional)

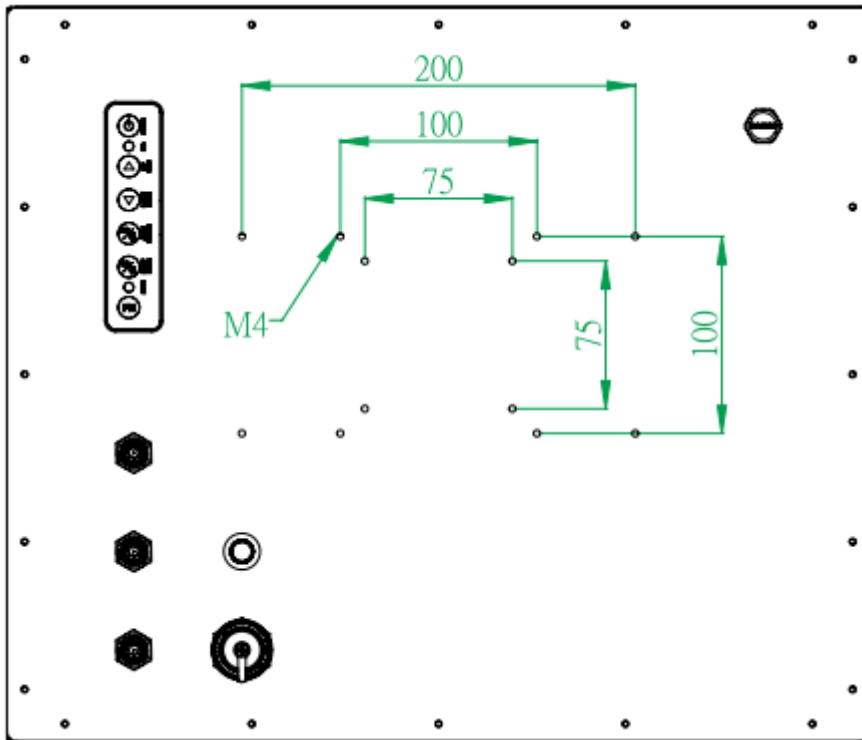
OSD Menu Description

<p>Color Adjustment</p> 	Contrast	0~100
	Brightness	0~100
	ColorAdjustment	Red (0~100) Green (0~100) Blue (0~100)
	Color Temperature	9300K 6500K User
<p>Image Adjustment</p> 	Clock	
	Phase	
	Sharpness	0~100
	horizontal position	0~100
	Vertical Position	0~100
<p>OSD Menu</p> 	OSD Horizontal Pos	0~100
	OSD Vertical Pos	0~100
	OSD Timer	0~100
	Language	English Francais Deutsch Espanol 繁體中文 簡體中文 日本語

<p>Singnal Source</p> 	D-SUB	
	HDMI	
	Display Port	
	Auto Search	
<p>Audio</p> 	Volume	0~255 (Recommended to 150)
	Mute	

1.3 Mechanical Dimension



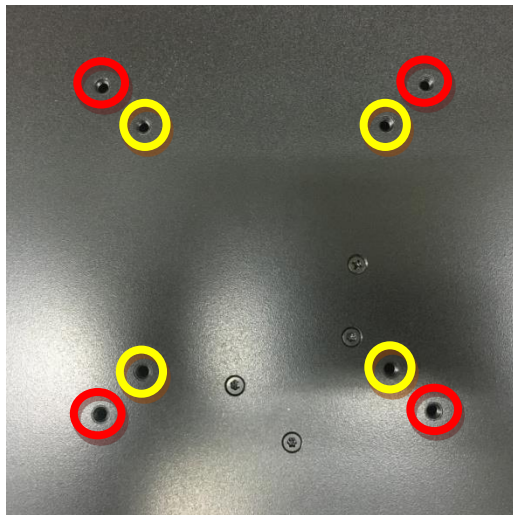


Chapter 2. VESA / Panel Mounting

2.1 VESA Mounting

Step1. Check the VASA mount dimension on the back cover .

There are two choice : 100 x 100mm or 75 x 75 mm



1. Screw Length Limitation: 6mm
(Calculated from monitor's back cover)
2. Screw Spec Limitation: M4 size

Step2. Fasten the four screws to bond **monitor** to **VESA Stand**

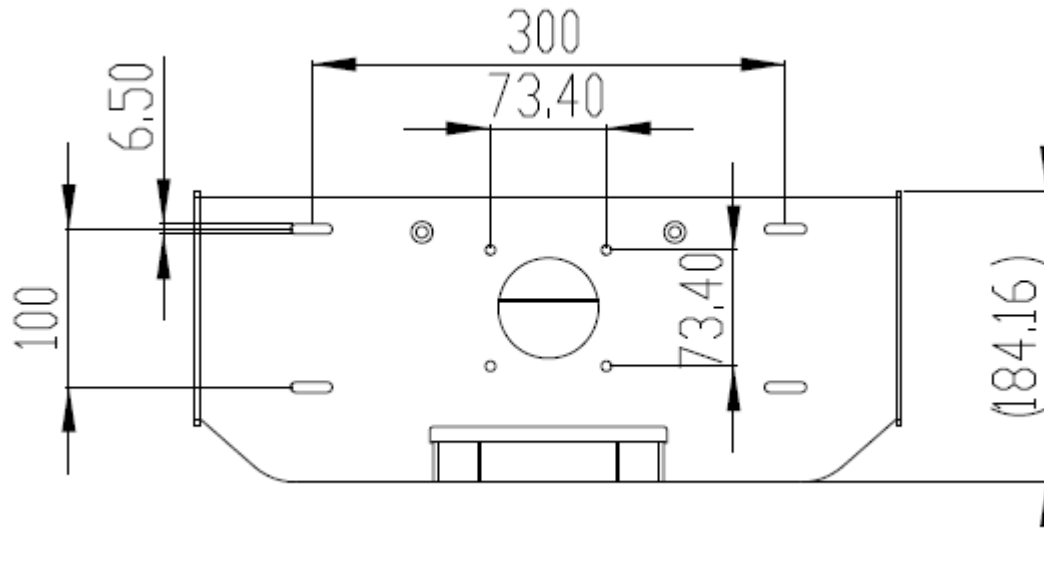
Warning !



1. The length of VASA mount screw cannot exceed 6mm.
(Calculated from monitor's back cover)
2. Any wrong installation will cause monitor's great damage.
3. The Spec of VASA mount screw is M4 size.

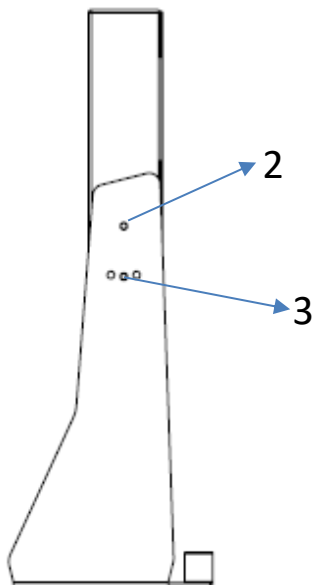
2.2 Yoke mounting

1. Follow the screw M6 hole of the yoke mount to fix. According to the following opening size



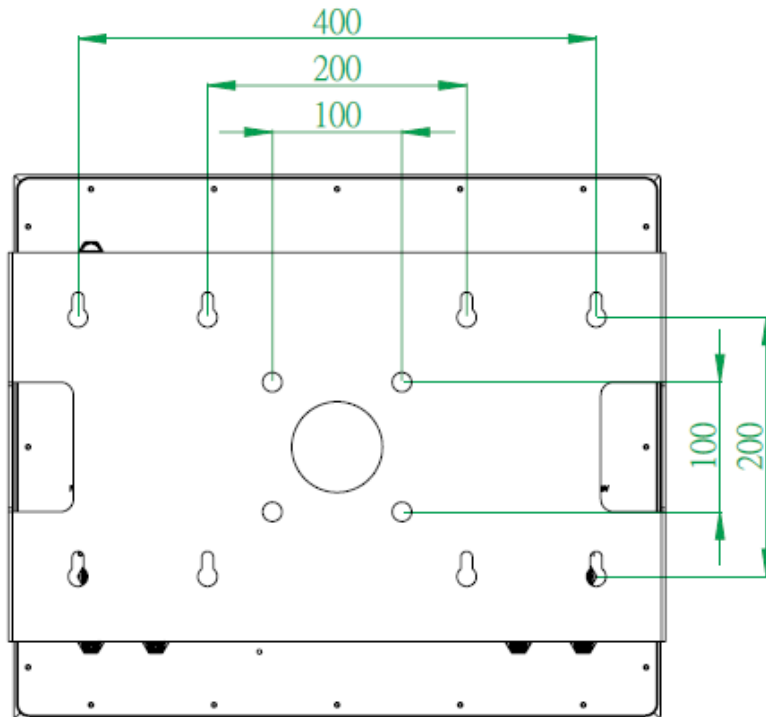
2. First fix the screw PPC and yoke mount, the screw is M6 size

3. Then fix the angle of the screw, the angle is 15 degrees, the screw is M6 size



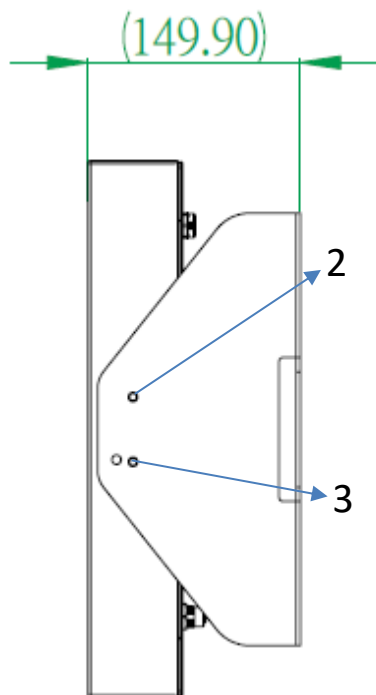
2.3 Wall mounting

1. Follow the screw M6 hole of the wall mount to fix. According to the following opening size



2. First fix the screw PPC and wall mount, the screw is M6 size

3. Then fix the angle of the screw, the angle is 15 degrees, the screw is M6 size



Chapter3. System Setup

3.1 Power Installation Procedure



Step 1. Connect the Power M12 Connector and tighten in a clockwise direction

■ **AC to DC power adaptor specification**

1. Input support voltage: 110V ~ 240V AC power , 50~60Hz
2. Output support voltage: 12V DC power @5A MAX
3. 0~40 degree C operating temperature

3.2 Resistive Touch Setting

Install Resistive Driver & Touch Setup

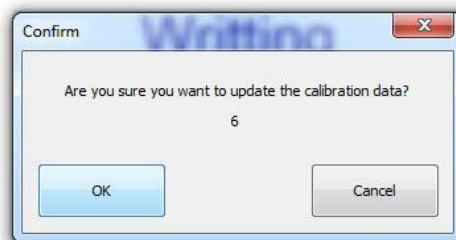
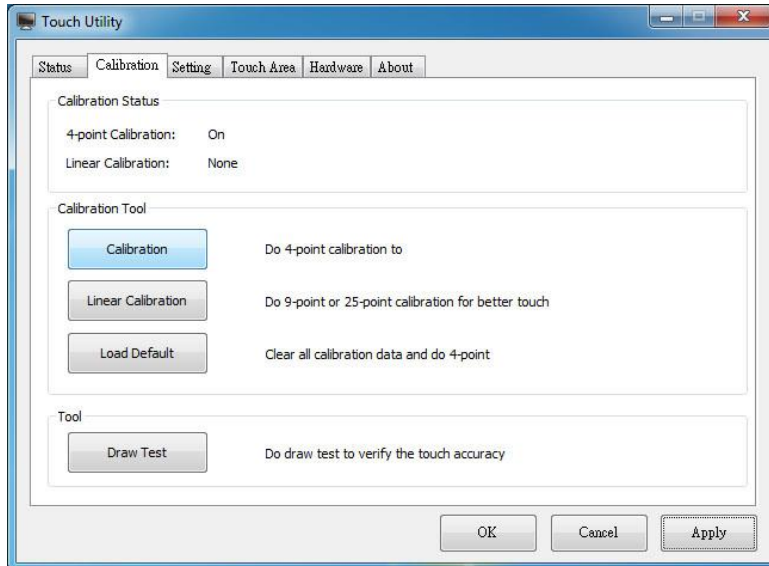
To install driver in Windows 7, driver is automatically installed as a mouse device while in Vista/7 as a digitizer device. You will see the difference that a icon shows up on the desktop without a icon in the notification area. See the screenshot below:

Double-click the icon to start setting.



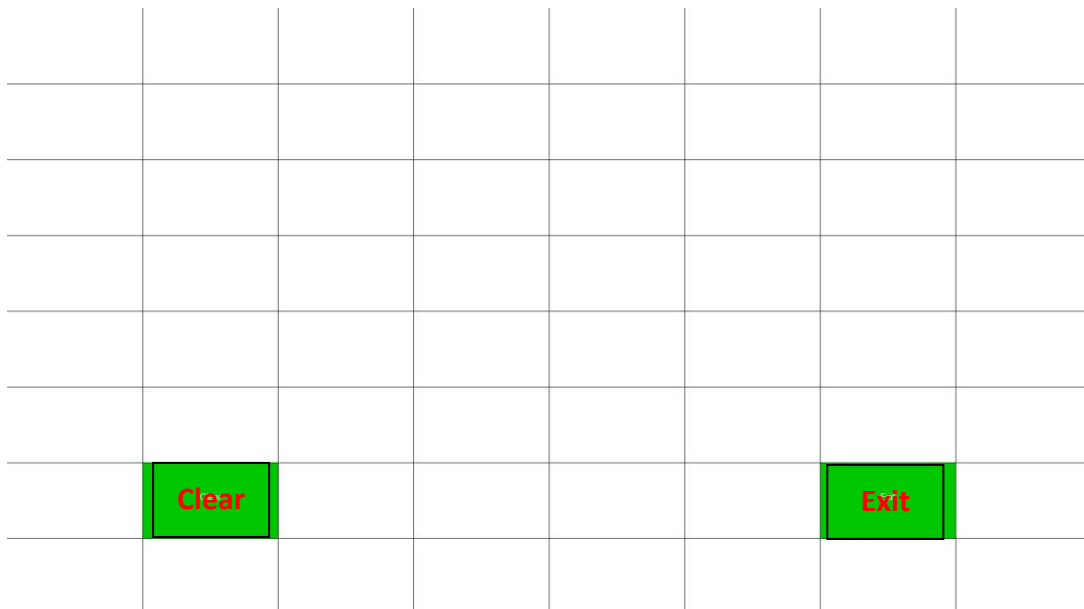
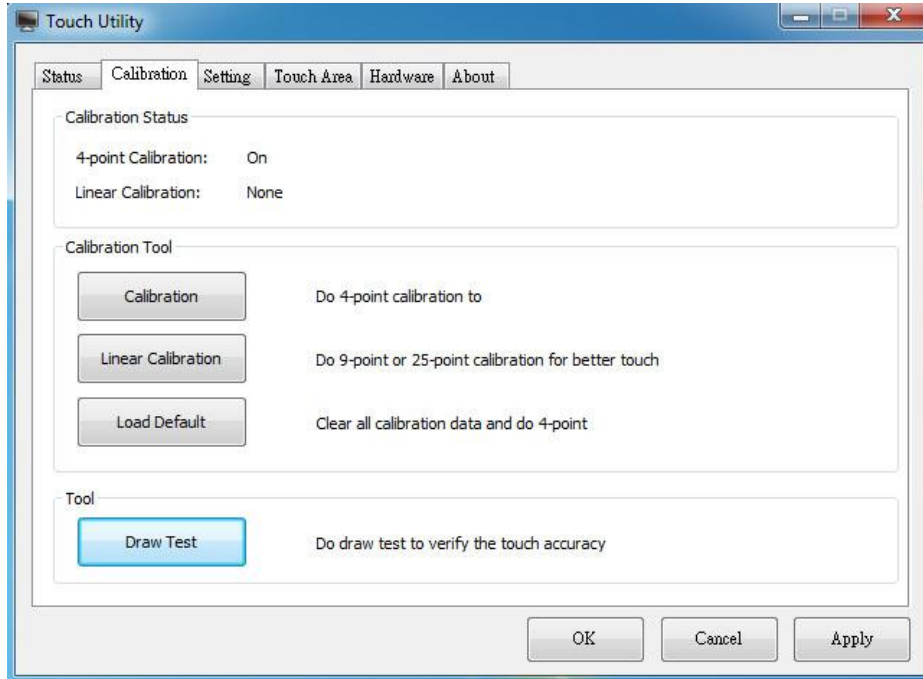
Calibration:

1. Please select a device then click “**Calibration**”. You can also double click the **Calibration** start Setting.



Draw

Tests or demonstrates the touch screen operation. The display shows touch location. Click **Draw Test** to start. Touch the screen with your finger or a stylus and the drawing screen registers touch activity such **left, right, up, down, pen up,**



Clear Screen

to clear drawing.

Exit

to quit draw function

About Arestech

Arestech, founded in 2011, employs a highly talented R&D team with over a decade of product development experience in intelligent embedded computing.

With our dynamic expertise in the embedded market, Arestech offers a full range of intelligent systems, including embedded Box PCs, industrial multi-touch displays and multi-touch Panel PCs.

Arestech's dedication to product development is matched by its commitment to world class customer support with a minimum 5-year product lifecycle plan, product longevity, and added value for our partners.

Additionally, Arestech strategically aligns itself with key industry software and system integration partners to deliver top-notch design services and turnkey solutions, enabling our partners to better build and grow their businesses.

**7F., No.94, Xiwei St., Sanchong Dist., New Taipei City
241, Taiwan (R.O.C.)
Tel : 886-2-8287-9168
Fax : 886-2-8287-2577
www.arestech.com.tw**