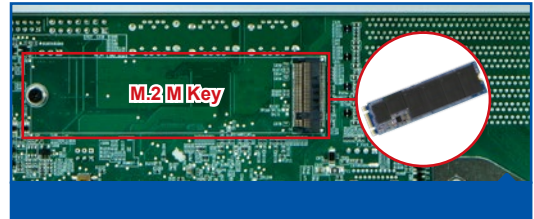
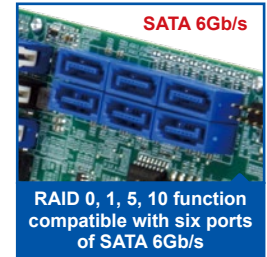
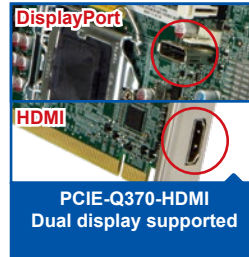
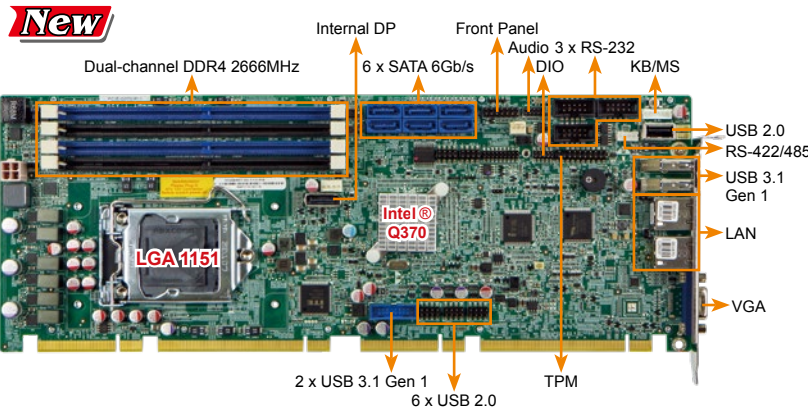


PCIE-Q370

Full-size PICMG 1.3 CPU Card supports LGA1151 Intel® Core™ i9/i7/i5/i3/Pentium®/ Celeron® CPU per Intel® Q370, DDR4, VGA, Dual Intel® PCIe GbE, SATA 6Gb/s, USB 3.1 Gen 1 (5Gb/s), M.2, HD Audio, Intel® AMT and RoHS



Specifications

- ◆ CPU
LGA1151 socket supports 8th/9th generation Intel® Core™ i9/i7/i5/i3, Pentium® or Celeron® processor
- ◆ Chipset
Intel® Q370
- ◆ Memory
Four 288-pin 2666MHz dual-channel DDR4 SDRAM unbuffered DIMMs support up to 64GB
- ◆ BIOS
AMI UEFI BIOS
- ◆ Graphic Engine
Intel® HD Graphics Gen 9 Engines with Low power 16 execution unit, supports DX2015, OpenGL 5.X and OpenCL2.x, ES 2.0
- ◆ Display Output
 - » PCIE-Q370-R11
Dual display supported
1 x VGA (up to 1920 x 1080@60Hz) 1 x Internal DP (up to 4096 x 2304@60Hz)
 - » PCIE-Q370-HDMI-R11**
Dual display supported
1 x HDMI (up to 4096 x 2304@30Hz) 1 x Internal DP (up to 4096 x 2304@60Hz)
- ◆ Ethernet
LAN1: Intel® I219LM PHY
LAN2: Intel® I211-AT PCIe controller (Co-lay I210-AT)
- ◆ External I/O Interface
2 x USB 3.1 Gen 1 (5Gb/s) (Rear IO type A)
1 x USB 2.0 (Type A 180°)
- ◆ Internal I/O Interface
1 x KB/MS (1x6 pin) 3 x RS-232 (2x5 pin, P=2.54)
1 x RS-422/485 (1x4 pin, P=2.0) 6 x SATA 6Gb/s (RAID 0/1/5/10 supported)
2 x USB 3.1 Gen 1 (5Gb/s) (2x10 pin) 6 x USB 2.0 (2x4 pin, P=2.54)
- ◆ Audio
Support 7.1 channel HD audio by IEI AC-KIT-892HD kit
- ◆ Front Panel
1 x Front panel (Power LED, HDD LED, Speaker, Power Button, Reset Button)
- ◆ LAN LED
2 x LAN LED (1x2 pin)
- ◆ TPM
1 x TPM (2x10 pin)
- ◆ SMBus
1 x SMBus (1x4 pin)
- ◆ I²C
1 x I²C (1x4 pin)
- ◆ Expansion
1 x M.2 M key (2280, Gen3 PCIe x4)
1 x PCIe x16 & 4 x PCIe x1 signal via golden finger
4 x PCI signal via golden finger
- ◆ Watchdog Timer
Software programmable support 1~255 sec. system reset
- ◆ Digital I/O
8-bit digital I/O (2x5 pin)
- ◆ Fan Connector
1 x CPU smart fan (1x4 pin)
1 x System smart fan (1x3 pin)
- ◆ Power Supply
AT/ATX power supply
Support AT/ATX mode
ErP/EuP Compliant
- ◆ Power Consumption
5V@3.12A, 12V@6.85A, 3.3V@1.13A, 5VSB@0.15A
(4.0 GHz Intel® Core™ i7-8700K CPU with four 16 GB 2666 MHz DDR4 memory)
- ◆ Operating Temperature
-20°C ~ 60°C
- ◆ Operating Humidity
5% ~ 95%, non-condensing
- ◆ Dimension: 338 mm x 126 mm
- ◆ Weight: GW: 1000g / NW: 500g
- ◆ CE/FCC compliant

Features

- PICMG 1.3 full-size CPU card
- LGA1151 Intel® 8th/9th Generation Core™ i9/i7/i5/i3, Celeron® and Pentium® processor supported
- Dual-channel DDR4 2666MHz
- Support VGA/HDMI and internal DP display
- Intel® PCIe GbE with Intel® AMT 11.0 supported
- Support M.2 M key for storage (PCIe x4)
- Supports RAID 0, 1, 5, 10 function via SATA 6Gb/s

Packing List

1 x PCIE-Q370 single board computer	1 x Mini jumper pack
1 x SATA cable	1 x QIG (Quick Installation Guide)

Ordering Information

Part No.	Description
PCIE-Q370-R11	Full-size PICMG 1.3 CPU Card supports LGA1151 Intel® Core™ i9/i7/i5/i3/Pentium®/Celeron® CPU per Intel® Q370, DDR4, VGA, DP, Dual Intel® PCIe GbE, USB 3.1, SATA 6Gb/s, M.2, HD Audio, iAMT and RoHS Art. N° 160368
PCIE-Q370-HDMI-R11**	Full-size PICMG 1.3 CPU Card supports LGA1151 Intel® Core™ i7/i5/i3/Pentium®/Celeron® CPU per Intel® Q370, DDR4, HDMI, DP, Dual Intel® PCIe GbE, USB 3.1, SATA 6Gb/s, M.2, HD Audio, iAMT and RoHS
19800-000075-RS	PS/2 KB/MS cable with bracket, 220mm, P=2.0
32102-000100-200-RS	SATA power cable, MOLEX 5264-4P to SATA15P
AC-KIT-892HD-R10	7.1 channel HD Audio kit with Realtek ALC892 support dual audio streams
CF-1150SA-R10	Special cooler kit for LGA1150, High-performance compatible, 95W
CF-1150SB-R11	Special cooler kit for LGA1150, High-performance compatible, 65W
CF-1150SC-R20	Special cooler kit for LGA1150, 1U chassis compatible, 65W
CF-1150SE-R11	Special cooler kit for LGA1150, high-performance compatible, 95W
CF-1150SF-R10	Special cooler kit for LGA1150, 1U chassis compatible, 54W
SAIDE-KIT01-R10	SATA to IDE/CF Converter board

**By order production, MOQ: 100